

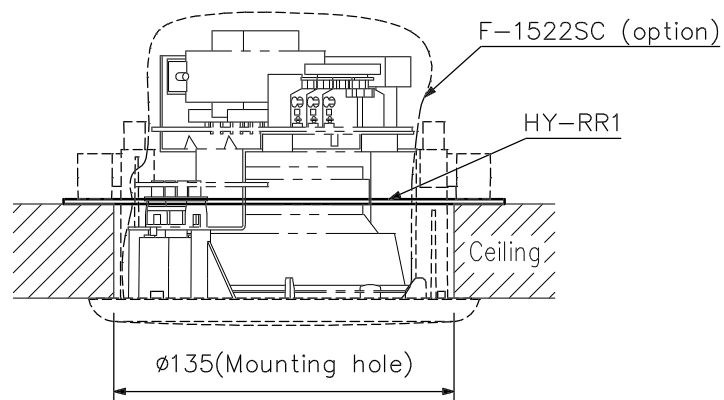
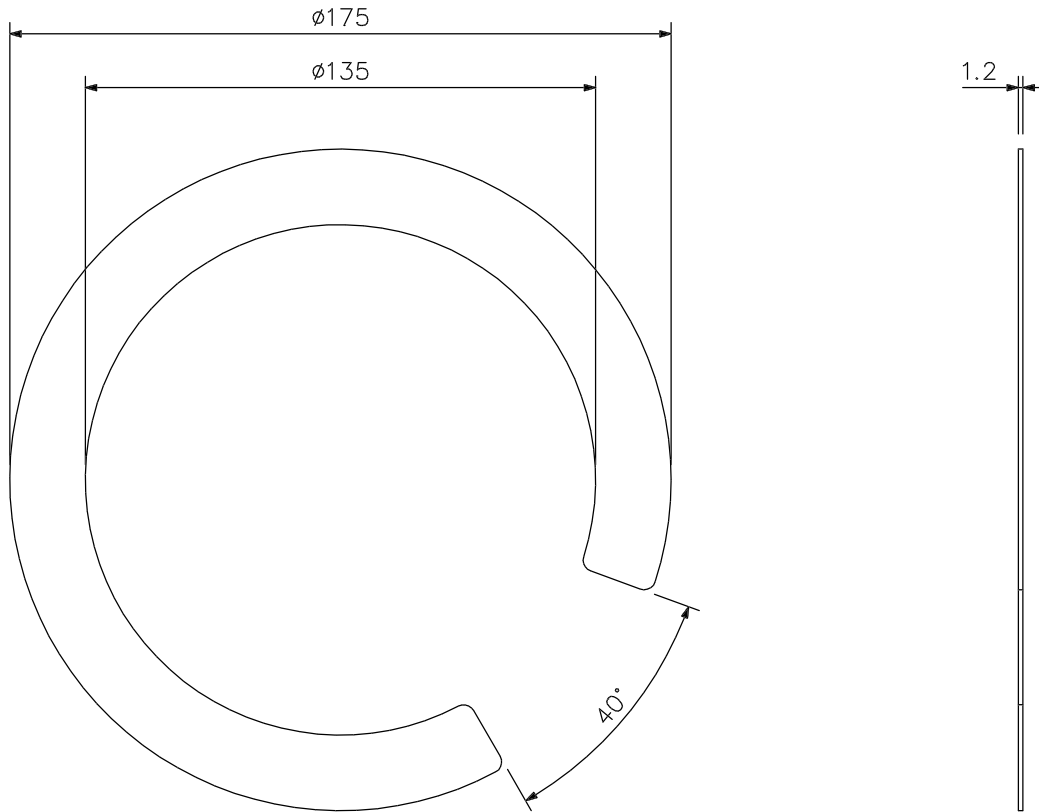
■DESCRIPTION

The HY-RR1 Reinforcement Ring is specially designed for use with the F-1522SC Ceiling Speaker System. It permits the F-1522SC to be installed even in a weak ceiling.

■SPECIFICATIONS

Ceiling Hole Diameter	ø135 mm
Finish	Surface-treated steel plate
Weight	80 g

■APPEARANCE



Mounting example (SCALE: 1/3)

UNIT:mm SCALE:1/2