



FLUSH-MOUNT CEILING SPEAKER

ES-C0651

DESCRIPTION

Designed for easy installation, the ES-C0651 ceiling speaker.

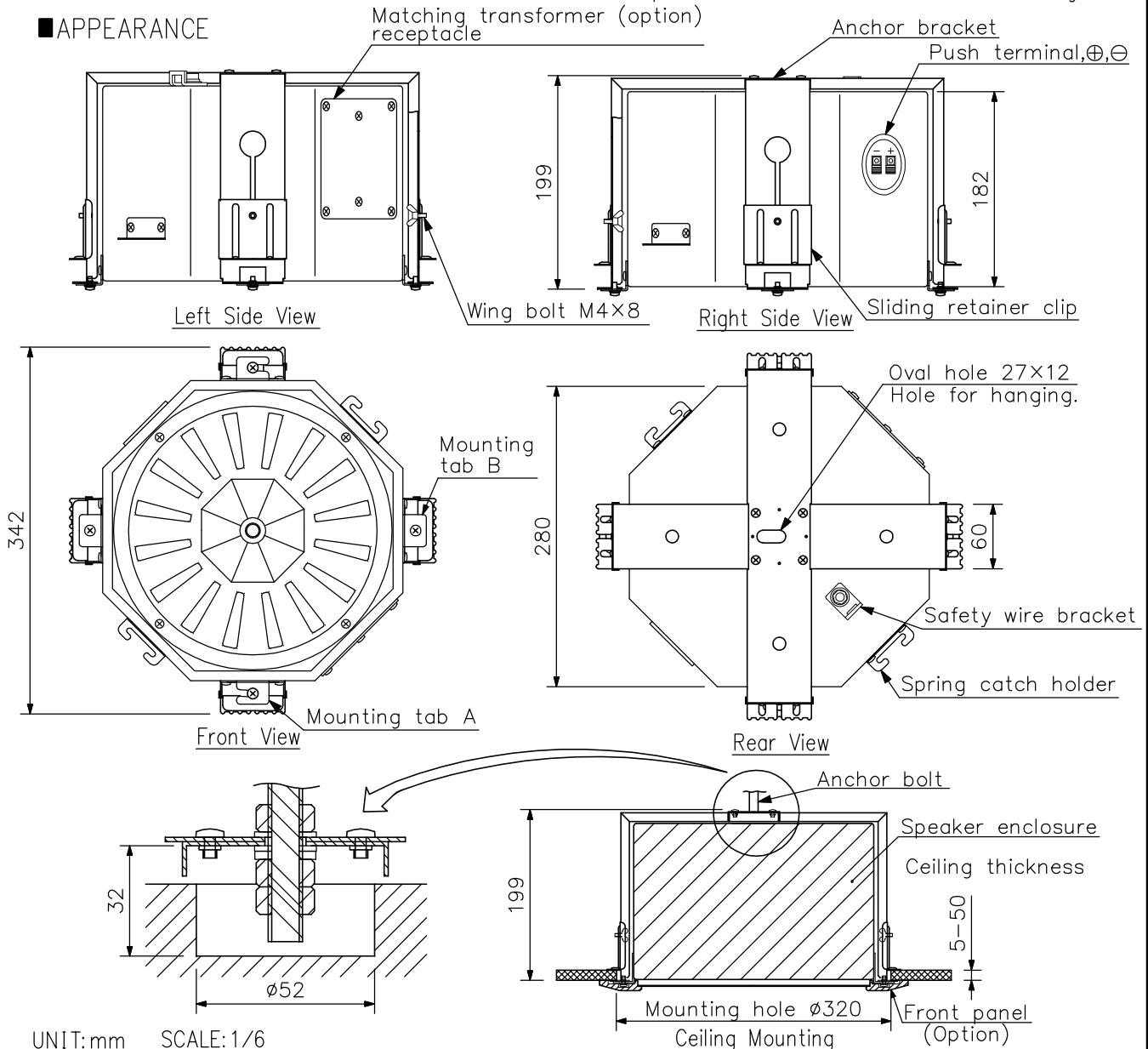
Incorporates a 25 cm diameter 2-way coaxial dynamic speaker to ensure high quality sound reproduction.

SPECIFICATIONS

Enclosure	Sealed enclosure
Rated Input	Continuous Pink Noise: 60 W, Continuous Program: 180 W
Rated Impedance	8 Ω, When optional matching transformer is used 100 V line: (60 W) 170 Ω, (30 W) 330 Ω, (15 W) 670 Ω 70 V line: (60 W) 83 Ω, (30 W) 170 Ω, (15 W) 330 Ω, (7.5 W) 670 Ω
Sound Pressure Level	96 dB (1 W, 1 m)
Frequency Response	80 Hz – 20 kHz
Speaker Component	2-way coaxial unit LOW: 25 cm woofer, HIGH: CD horn plus compression driver (Horizontal) 60 ° x (Vertical) 60 °
Crossover Frequency	2.5 kHz (passive network)
Input Terminal	Push-in terminal
Finish	Case: Wood, black Anchor bracket: Surface treated steel plate
Dimensions	Mounting hole: $\phi 320$ mm Ceiling thickness: 5 – 50 mm
Weight	6.8 kg (including anchor bracket)
Optional Accessory	Front Panel: FG-C0651 Matching Transformer: MT-S0601

[Precaution] Be sure to secure the speaker with an anchor bolt when installing.

APPEARANCE



UNIT: mm SCALE: 1/6