

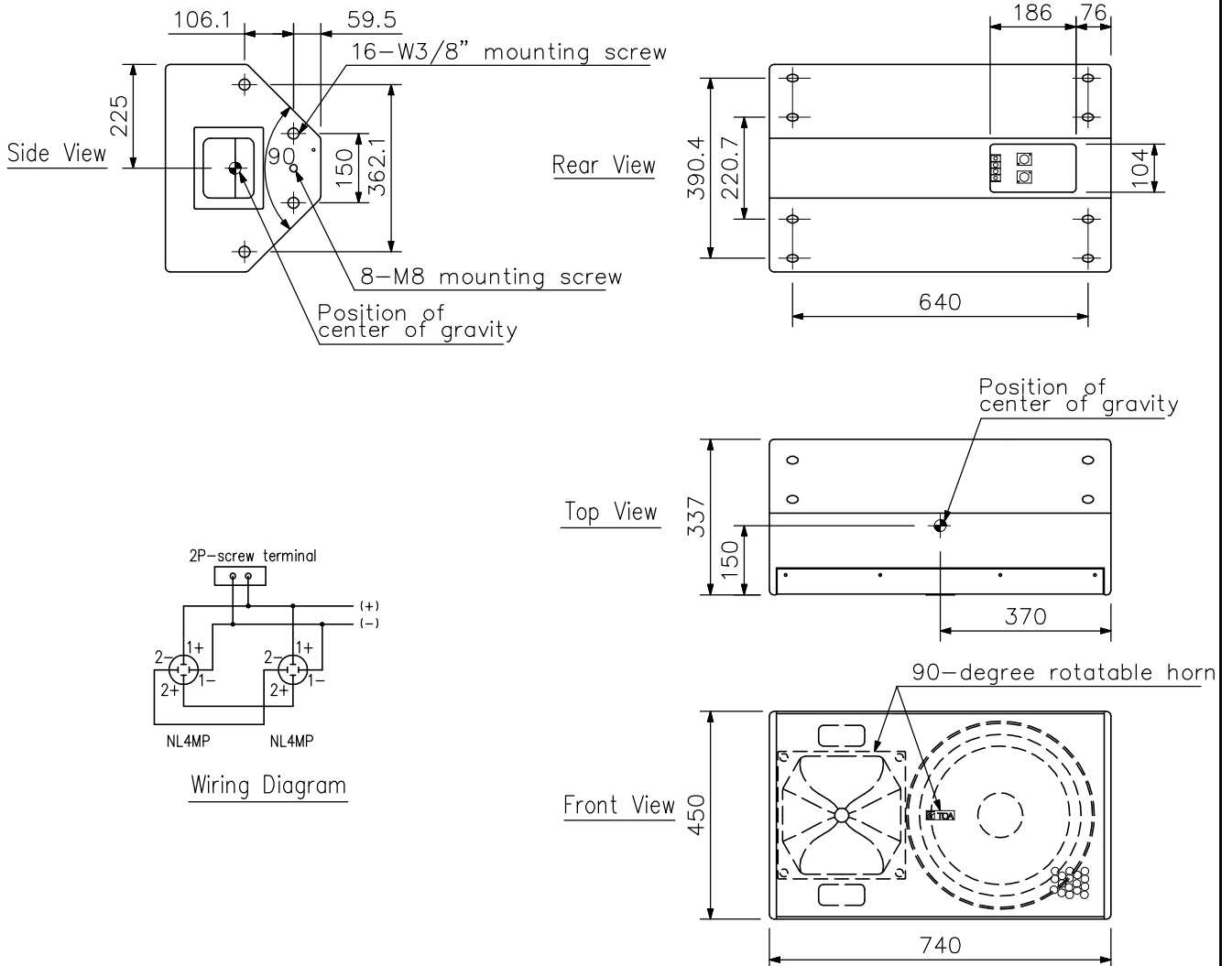
DESCRIPTION

The ES-0871 is a heavy-duty two-way speaker system designed for use in both temporary and permanent installations. Properly-designed built-in passive network ensures superb quality and high power handling capability. The speaker's 90-degree wedge shape and its optional mounting bracket permit the speaker to be mounted closely to walls and ceilings.

SPECIFICATIONS

| | |
|-------------------------|---|
| Enclosure | Bass-reflex type |
| Power Handling Capacity | Continuous pink noise: 200 W Continuous program: 600 W |
| Rated Impedance | 8 Ω |
| Sensitivity | 100 dB (1 W, 1 m) |
| Frequency Response | 70 - 20,000 Hz |
| Crossover Frequency | 1,800 Hz |
| Speaker Component | Low frequency: 38 cm cone-type High frequency: CD horn (90° horizontal × 60° vertical or 60° horizontal × 90° vertical) fitted with compression driver |
| Input Connector | Neutrik NL4MP × 2 and M5 screw terminal, distance between barriers: 12.2 mm |
| Finish | Enclosure : Plywood, black, urethane paint Front grille: Steel plate, black, acrylic paint |
| Dimensions | 740 (W) × 450 (H) × 337 (D) mm |
| Weight | 37 kg |
| Option | Mounting bracket: HY-0871CL, HY-0871WS |

APPEARANCE



UNIT:mm SCALE:1/15