

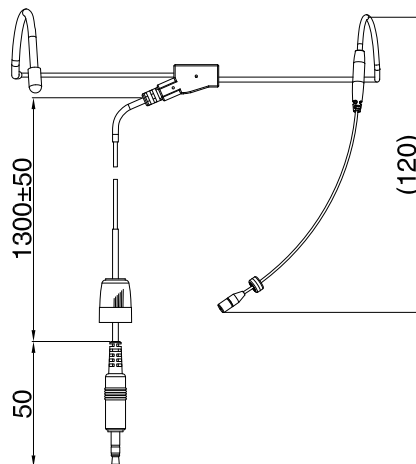
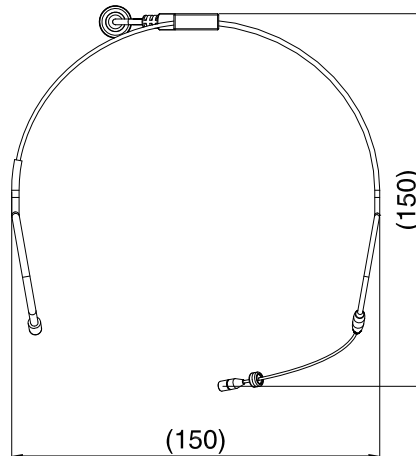
DESCRIPTION

The TOA YP-M5000H is headset microphone of an omnidirectional pick-up pattern, featuring a light weight design.

SPECIFICATIONS

Type	Electret condenser type
Directivity	Omnidirectional
Frequency Response	20 – 20,000 Hz
Sensitivity	-67 dB \pm 3 dB (0 dB=1V/0.1Pa, 1kHz)
Maximum Input Level	115 dBSPL, 1kHz at 1%
Cord Length	1.3 m (4.27 ft)
Terminal	ϕ 3.5 mm (0.14") Stereo plug
Finish	Beige color
Weight	21 g or 0.74 oz (cable included)

APPEARANCE



UNIT:mm SCALE:1/3