

TOA FLUSH-MOUNT CEILING SPEAKER 6W CM-960/(EU) (Grille separation type)

DESCRIPTION

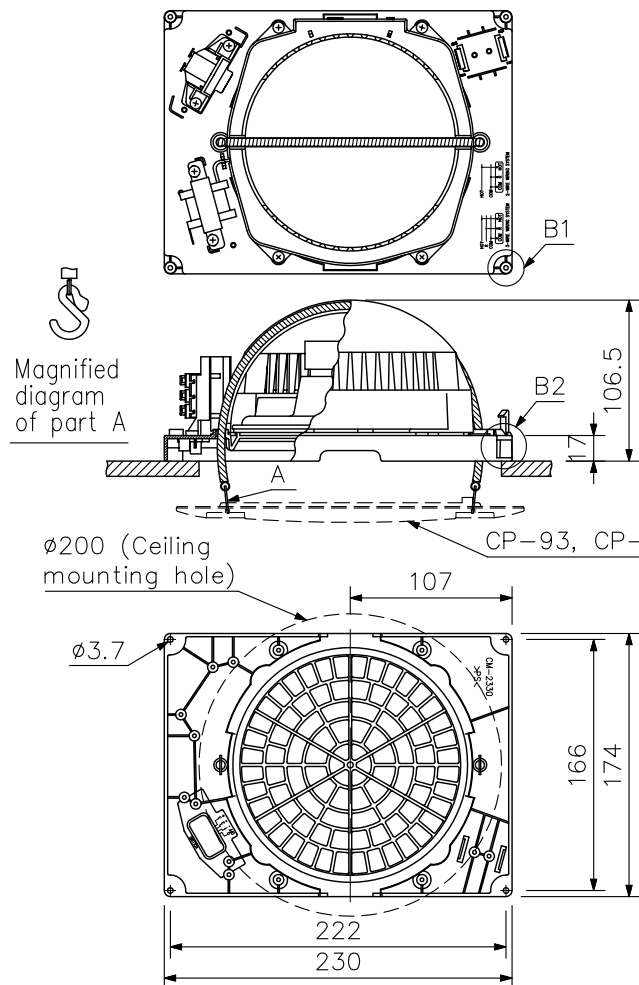
The CM-960 speaker allows selection of most suitable front panel out of the CP-90 series panels (optional) depending on the installation place. Thanks to its coil spring catch method, the panel can be easily attached to the speaker. The CM-960 comes with a push-in connector which permits instant wire connection for bridging and branch wiring. The speaker is protected by a hard speaker cover.

SPECIFICATIONS

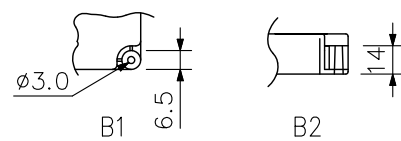
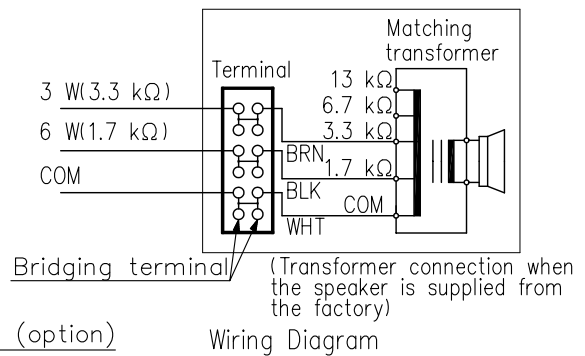
Rated Input	6 W
Rated Impedance	1.7 k Ω (6 W), 3.3 k Ω (3 W), (6.7 k Ω (1.5 W), 13 k Ω (0.8 W): Internal wiring must be changed)
Sound Pressure Level	92 dB (1 W, 1 m)
Frequency Response	100 Hz - 12 kHz
Speaker Component	16 cm dynamic cone-type speaker
Dimensions for Fixing Hole	ϕ 200 (mounting hole) \times 50 (ceiling thickness) mm
Speaker Mounting Method	Spring catch
Applicable Cables	600 V Vinyl-insulated cable (IV wire or HIV wire) Solid copper wire: ϕ 0.8 - ϕ 1.2 mm 7-core twisted copper wire: 0.75 - 1.25 mm ²
Connection	Push-in connector (Bridging and branch connections possible)
Finish	Grille: Fire-resistant, high-impact styrene resin (resin material grade: UL94 V-0 or its equivalent), black
Dimensions	230 (W) \times 174 (H) \times 106.5 (D) mm
Weight	850 g
Applicable Panel	CP-90 series panel (option): CP-93, CP-97

[Note] Do not use the speaker with heat insulating material sound absorbing material mounted. Ensure that the speaker is kept away from the heat insulating material.

APPEARANCE



[Note] The input power in the diagram below is based on 100-volt line. When using the speaker on 70-volt line, the impedance-to-input power is as follows: 1.7 k Ω (3 W), 3.3 k Ω (1.5 W), 6.7 k Ω (0.8 W), and 13 k Ω (0.4 W).



Magnified figure

UNIT:mm SCALE:1/5

[Note] Use transformer terminals when changing input impedance.