

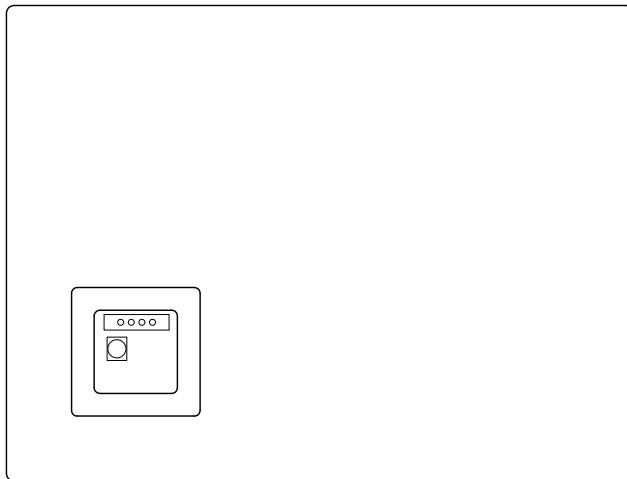
DESCRIPTION

Featuring high power, high quality, and rugged construction, the SR-L09 is a sub-woofer system that can be used for on-the-road applications as well as permanent installation. Recommended digital speaker processor is the DP-SP3 (option).

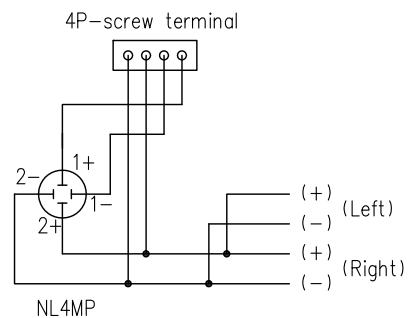
SPECIFICATIONS

|                         |   |
|-------------------------|---|
| Enclosure               | Bass-reflex type  |
| Power Handling Capacity | Continuous pink noise: 300 W<br>Continuous program: 900 W                           |
| Rated Impedance         | 4 Ω   |
| Sensitivity             | 96 dB (1 W, 1 m)  |
| Frequency Response      | 35 Hz- 1 kHz  |
| Crossover Frequency     | 125 Hz (when recommended parameters are applied by the optional DP-SP3)             |
| Speaker Component       | Low frequency: 38 cm cone-type X 2  |
| Input Connector         | Neutrik NL4MP and M5 screw terminal, distance between barriers: 12.2 mm             |
| Finish                  | Enclosure: Plywood, black, paint<br>Front grille: Steel plate, black, acrylic paint |
| Dimensions              | 829 (W) × 629 (H) × 606 (D) mm  |
| Weight                  | 67 kg   |

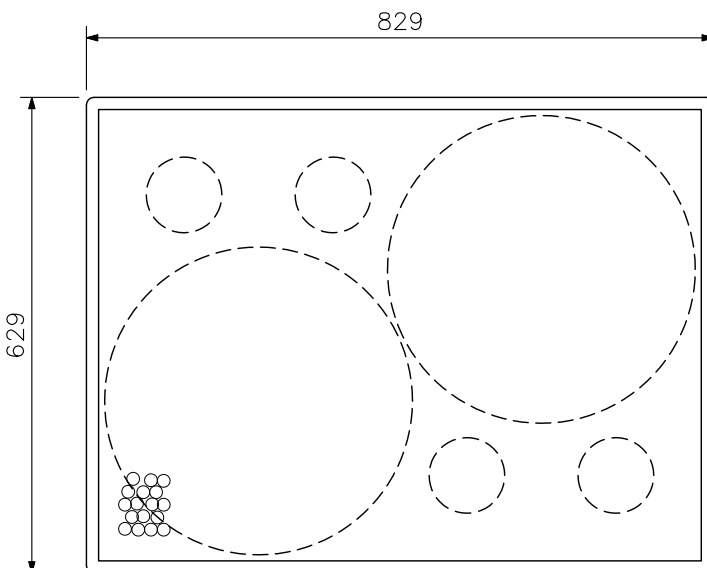
APPEARANCE



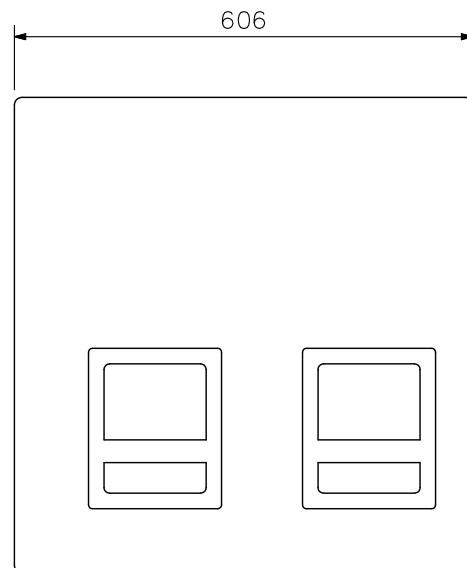
Rear View



Wiring Diagram



Front View



Side View

UNIT: mm SCALE: 1/10