

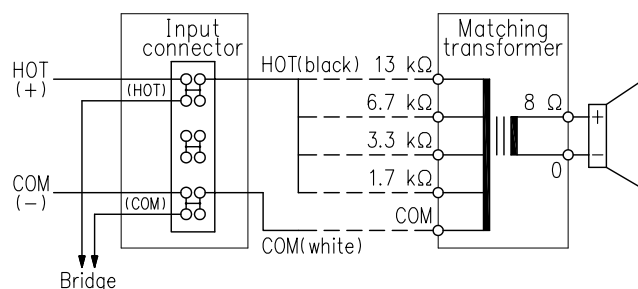
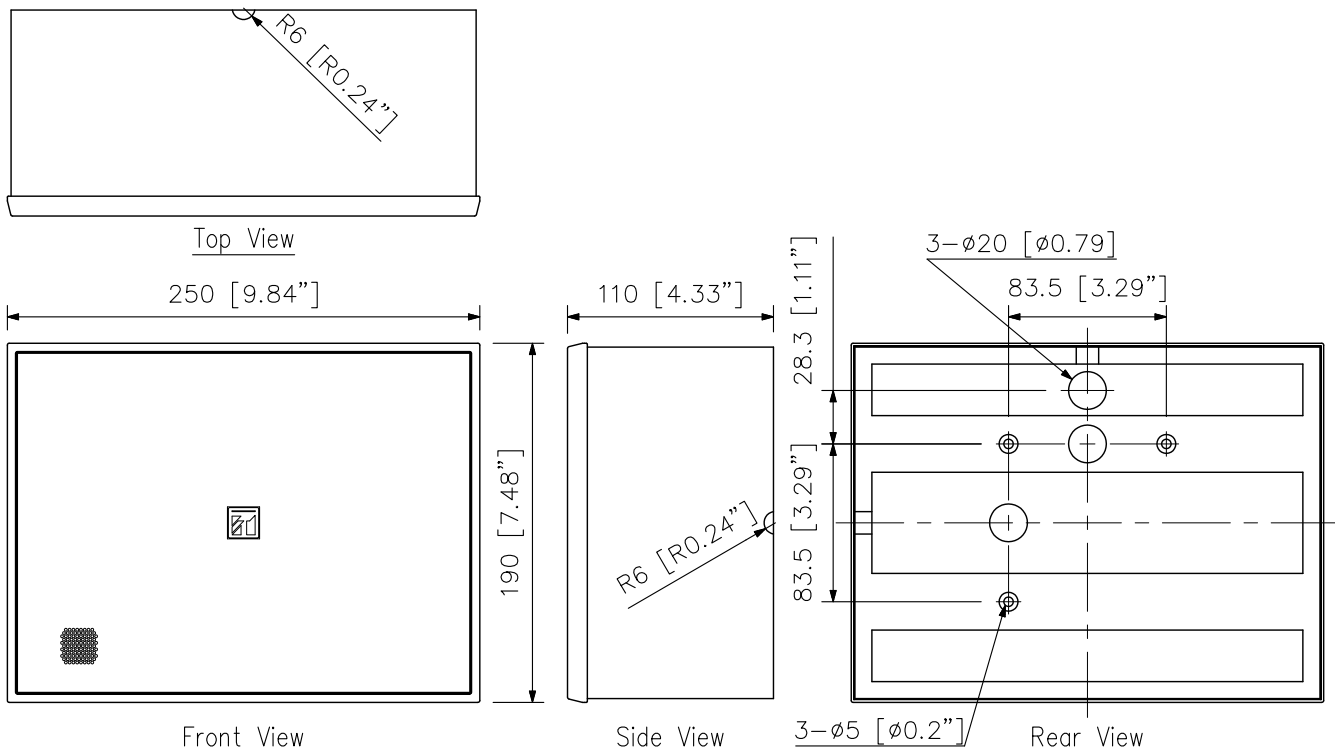
DESCRIPTION

The BS-678, of which cabinet is made of wood, can be installed in a vertical or horizontal orientation. Either concealed in-wall wiring or exposed wiring can be used for speaker cable connection. The speaker structure that permits direct wall-mounting with screws prevents the speaker from falling easily even if an outward force is applied to. The input impedance can be easily changed by changing the tap position of the transformer. Two built-in 6-inch double cone speaker units deliver high quality sound. The push-in type input connector makes cable connections easy and allows bridge wiring.

SPECIFICATIONS

Rated Input	6 W (100 V line), 3 W (70 V line)
Rated Impedance	100 V line: 1.7 kΩ (6 W), 3.3 kΩ (3 W), 6.7 kΩ (1.5 W), 13 kΩ (0.8 W) 70 V line: 1.7 kΩ (3 W), 3.3 kΩ (1.5 W), 6.7 kΩ (0.8 W), 13 kΩ (0.4 W)
Sensitivity	94 dB (1 W, 1 m) (500 Hz - 5 kHz, pink noise)
Frequency Response	150 Hz - 20 kHz (peak -20 dB)
Speaker Component	16 cm (6") double cone-type
Applicable Cable	600 V vinyl-insulated cable (1V wire or HIV wire) Solid wire: $\phi 0.8 - \phi 1.6$ mm (equivalent to AWG 20 - 14) 7-core twisted wire: 0.75 - 1.25 mm ² (equivalent to AWG 18 - 16)
Connection	Push-in connector (bridging terminal)
Finish	Baffle: HIPS, off-white (RAL 9010 or equivalent color) Cabinet: Particle board with pvc sheet, off-white (RAL 9010 or equivalent color) Grille: Surface-treated steel plate net, off-white (RAL 9010 or equivalent color)
Dimensions	250 (W) x 190 (H) x 110 (D) mm (9.84" x 7.48" x 4.33")
Weight	1.7 kg (3.75 lb)
Accessory	Speaker mounting screw (4 x 35 (0.16" x 1.38")) $\times 2$

APPEARANCE



UNIT:mm SCALE:1/4

Wiring Diagram