

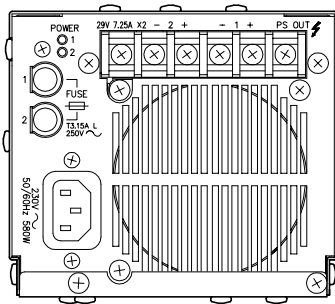
■ DESCRIPTION

The VX-200PS Power Supply Unit is mounted in the VX-2000PF Power Supply Frame when in use. There are 2 DC output channels per unit. Use the VX-200PS in the number suited to the required total system power.

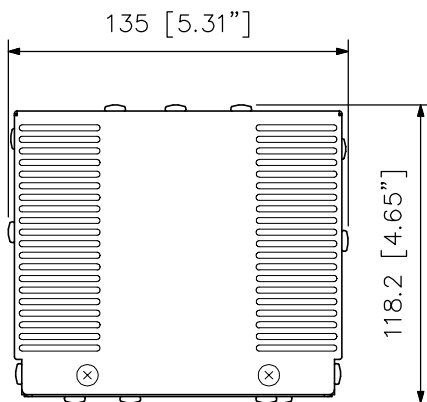
■ SPECIFICATIONS

Power Source	230 V AC, 50/60 Hz
Power Consumption	580 W
DC Power Output	Rated output: 210 W (29 V, 7.25 A) × 2 Peak output: 400 W × 2 M4 screw terminal, distance between barriers: 11 mm (0.43")
Operating Temperature	0 °C to +40 °C (32 °F to 104 °F)
Applicable Frame	VX-2000PF
Finish	Surface-treated steel plate
Dimensions	135 (W) × 118.2 (H) × 324.8 (D) mm (5.31" × 4.65" × 12.79")
Weight	13.2 kg (29.1 lb)
Accessory	Fuse (T3.15A L) ...1, Power cord (2 m (6.56 ft)) ...1

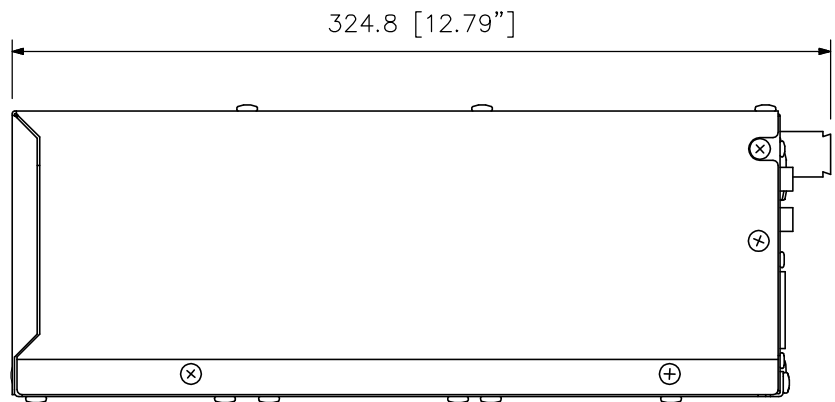
■ APPEARANCE



Rear View



Front View



Side View

UNIT:mm SCALE:1/3