

DESCRIPTION

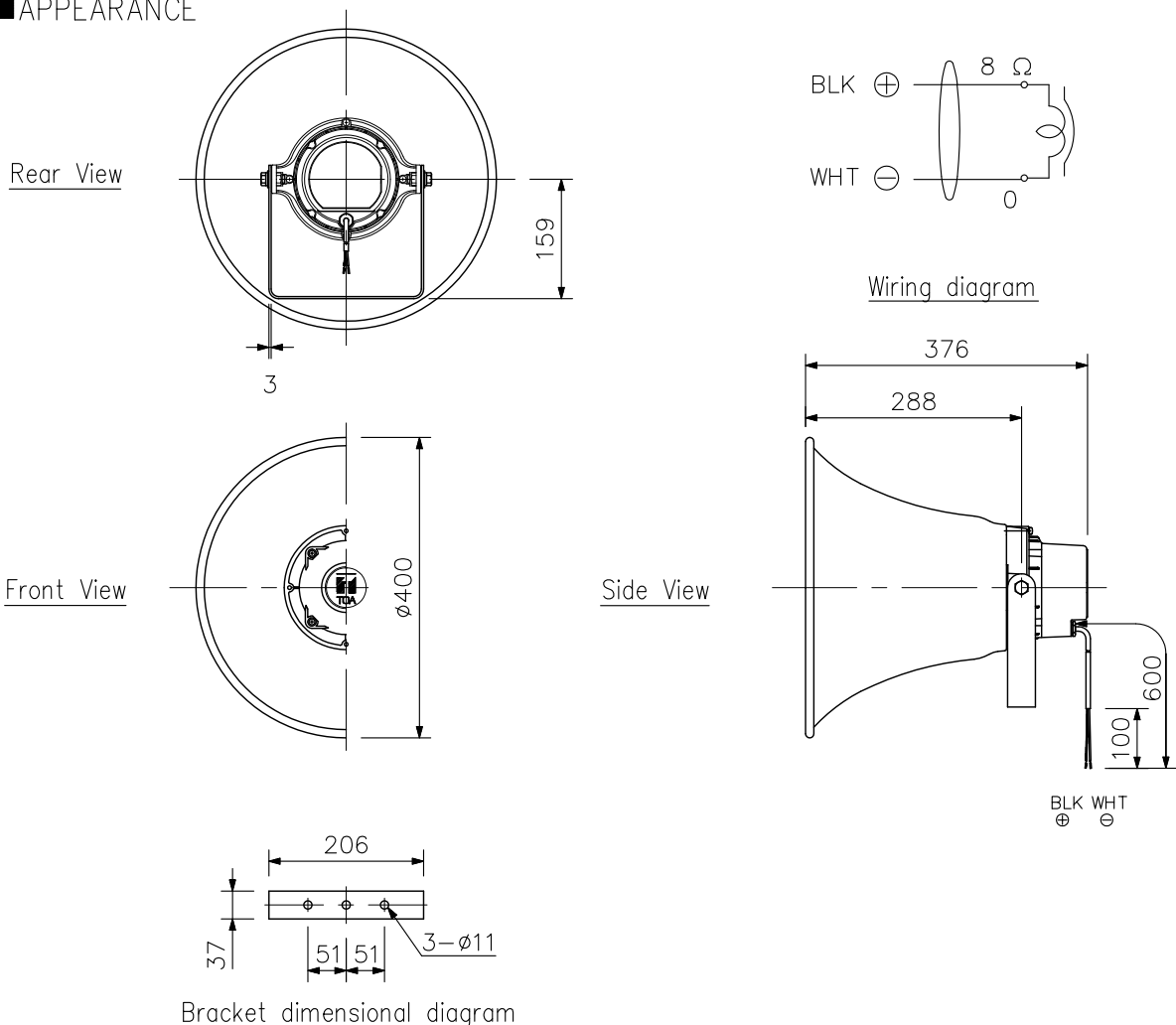
The TC-615 is a highly intelligible, general-purpose speaker suited to public address announcement applications. Its external speaker component finished with powder coating, and stainless steel screws ensure the unit's weatherproof capability.

SPECIFICATIONS

| | |
|-----------------------|--|
| Rated Input | 15 W |
| Rated Impedance | 8 Ω |
| Sound Pressure Level | 108 dB (1 W, 1m) |
| Frequency Response | 250 Hz - 7 kHz |
| Dust/Water Protection | IP65 |
| Polarity | Hot: Black, Com: White |
| Operating Temperature | -20 °C to +55 °C (must be free from dew condensation) |
| Finish | Horn flare: Aluminum, off-white, powder coating Reflector horn: ABS resin, off-white Bracket holder: Aluminum, gray, powder coating Bracket: Steel, gray, powder coating Rear cover: ABS resin, gray Screw and bolts: Stainless steel Speaker Cable: Polyvinyl chloride insulated cabtyre cable (6 mm in diameter, 600 mm in length) |
| Dimensions | ∅400 × 376 (D) mm |
| Weight | 3 kg |

Note: Avoid installing the speaker in locations which vibrate considerably, or under environments easy to be oil-contaminated.

APPEARANCE



UNIT:mm SCALE:1/10