

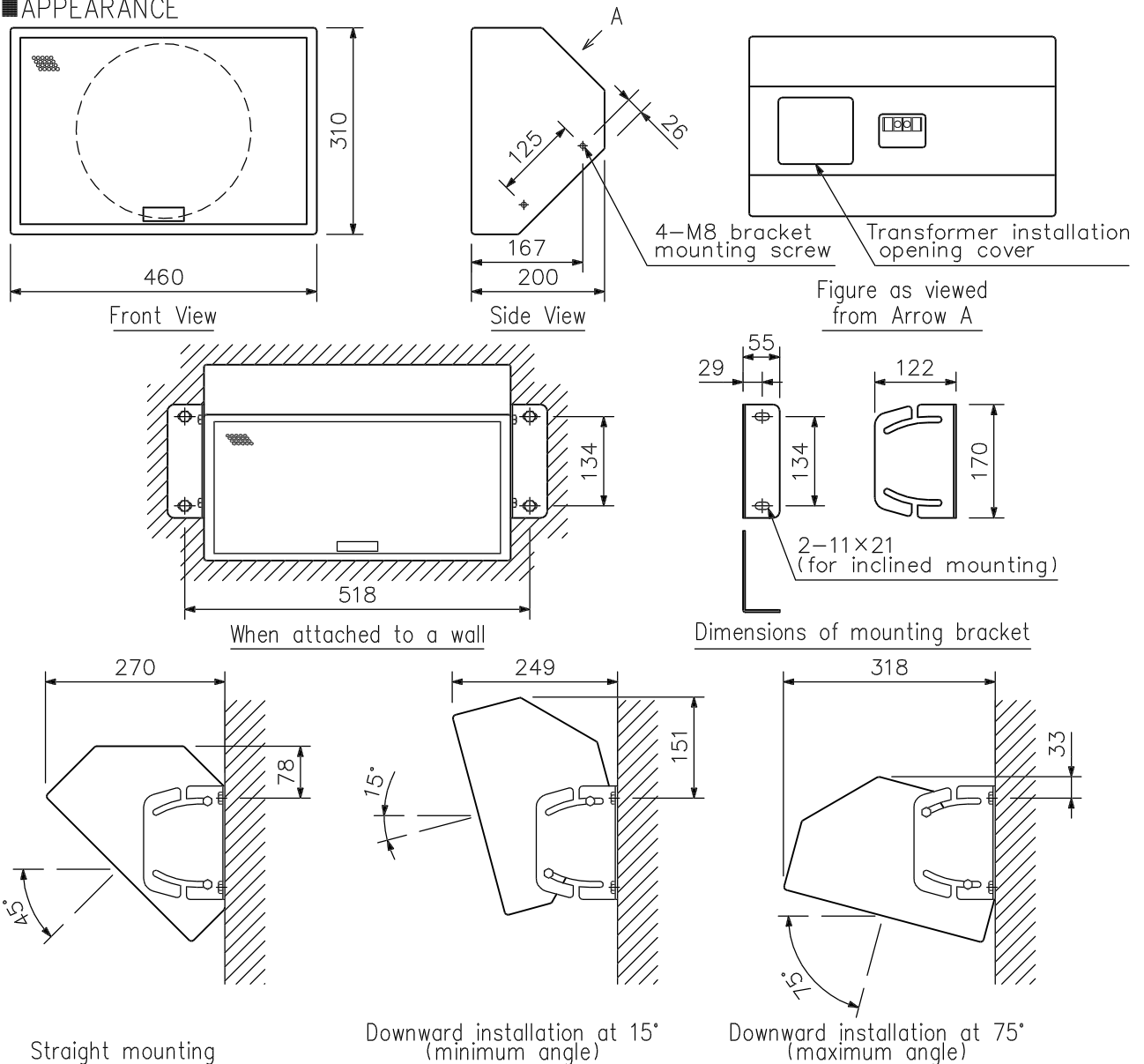
## DESCRIPTION

The TOA T-550 is a quality-sound, 2-way speaker system employing a highly efficient coaxial speaker component with a high power handling capacity. It is designed to be installed as an auxiliary speaker in small and intermediate indoor sports facilities, and its heavy-duty construction protects unit against impacts from balls and other objects.

## SPECIFICATIONS

Enclosure	Sealed type
Power Handling Capacity	Continuous pink noise: 60 W, Continuous program: 180 W
Rated Impedance	8 Ω
Sound Pressure Level	96 dB (1 W, 1 m)
Frequency Response	100 - 20,000 Hz
Crossover Frequency	2.5 kHz (passive network)
Speaker Component	2-way coaxial unit Low frequency: 25 cm cone speaker High frequency: CD horn fitted with compression driver (60° horizontal × 60° vertical)
Input Terminal	2-pole M5 screw terminal, distance between barriers: 12.2 mm
Finish	Enclosure: Coniferous plywood, black, semi-mat, urethane paint Grille: Steel plate, black, semi-mat, acryl paint Mounting bracket: Steel plate t3.2, black, semi-mat, acryl paint
Dimensions	460 (W) × 310 (H) × 200 (D) mm
Weight	11 kg (including mounting brackets)
Accessory	Speaker mounting bracket .....2, Speaker mounting bolt .....4
Option	Matching transformer: MT-S0601

## APPEARANCE



UNIT: mm SCALE: 1/10