

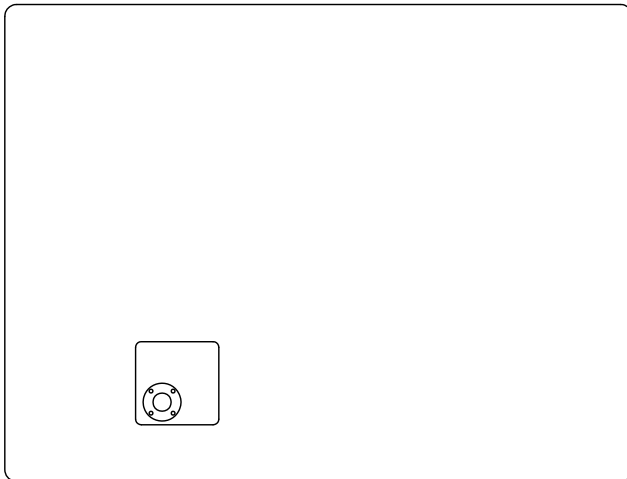
■DESCRIPTION

The model SR-L1B from TOA is compact integrated sub woofer system for use in sound reinforcement applications with an emphasis on quality sound and durability, and for easy transportation. Recommended digital speaker processor is the DP-SP3 (option).

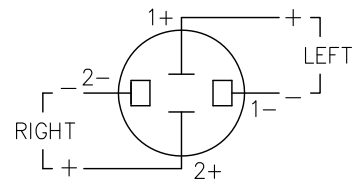
■SPECIFICATIONS

Enclosure	Bass reflex type
Power Handling Capacity	Continuous pinknoise: 150 W × 2 Continuous program: 450 W × 2
Rated Impedance	8 Ω × 2
Sensitivity	96 dB (1 m, 1 W)
Frequency Response	35 Hz – 1 kHz
Crossover Frequency	125 Hz (when recommended parameters are applied by the optional DP-SP3)
Speaker Component	38 cm cone-type × 2
Input Connector	NEUTRIK NL4MPR
Finish	Enclosure: urethane coating, gray Front grill: Steel plate paint, black
Dimensions	830 (W) × 631 (H) × 607 (D) mm
Weight	77 kg

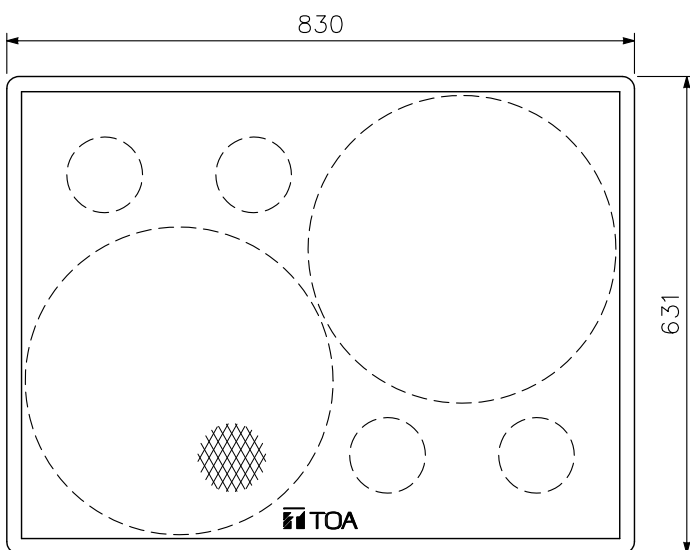
■APPEARANCE



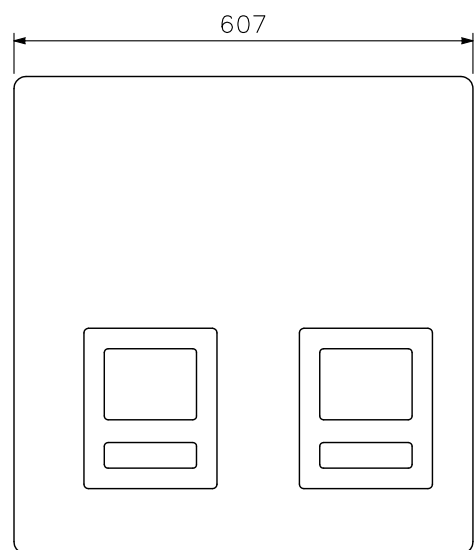
Rear View



Input Connector



Front View



Side View

UNIT: mm SCALE: 1/10