

DESCRIPTION

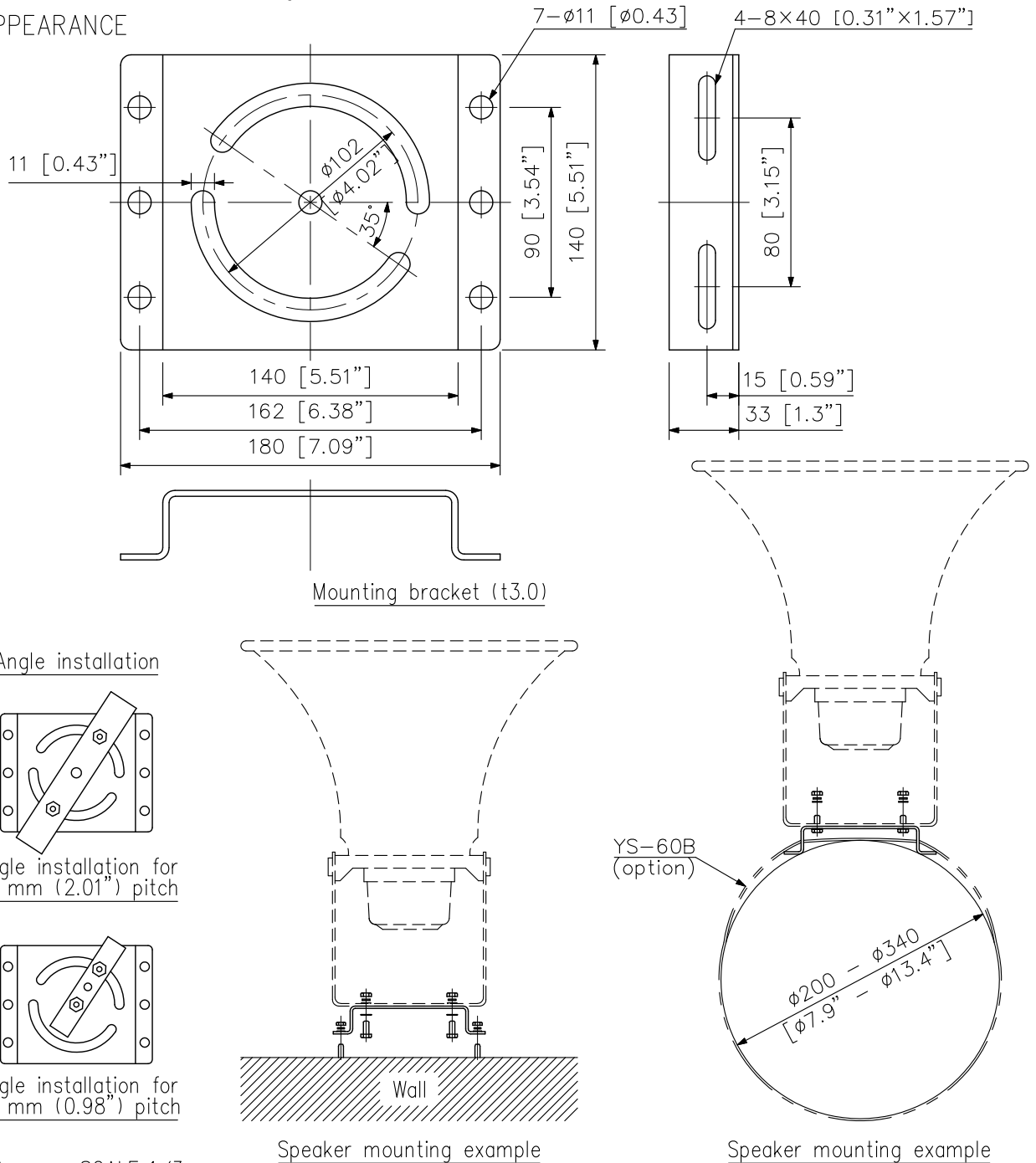
The SP-201 Speaker mounting bracket is used to mount a horn speaker to a wall. It can also mount the speaker on a $\phi 200 - \phi 340$ mm ($\phi 7.9" - \phi 13.4"$) pole in conjunction with the optional YS-60B.

Note: For added safety, reinforce mounting brackets and mounting bands when installing a speaker in a location that will be exposed to significant vibration and/or strong wind. It is also recommended that the installed speaker, mounting brackets, and mounting bands be checked periodically to assess potentially dangerous excessive wear and/or loose connections.

SPECIFICATIONS

Load Capacity	10 kg (22 lb)
Finish	Bracket: Stainless Steel Screw: Stainless Steel
Weight	610 g (1.34 lb) (bracket only)
Product Composition	Mounting bracket $\times 1$, Mounting screw (M10 \times 25 bolt set, M8 \times 20 bolt set) \times each 1 set

APPEARANCE



UNIT:mm SCALE:1/3