

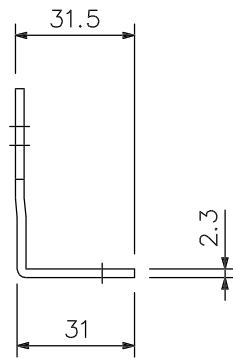
DESCRIPTION

The MB-36 is used to mount a three-unit size component that is 420 mm width in a component rack.

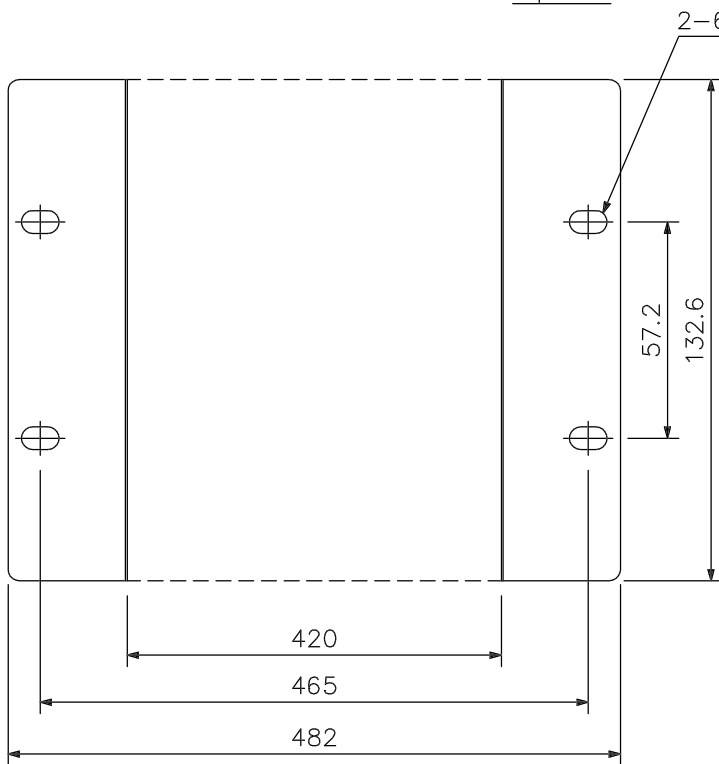
SPECIFICATIONS

|           |  |
|-----------|--|
| Finish    | Steel plate, dark gray (PANTONE 446C or its equivalent), paint                           |
| Weight    | 340 g  |
| Accessory | Rack mounting screw and washer .....4sets,<br>Bracket fixing screw and washer .....4sets |

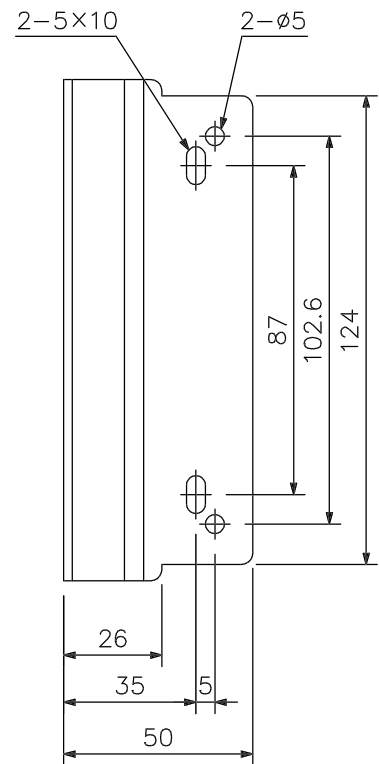
APPEARANCE



Top View



Front View



Side View

UNIT:mm SCALE:1/2