

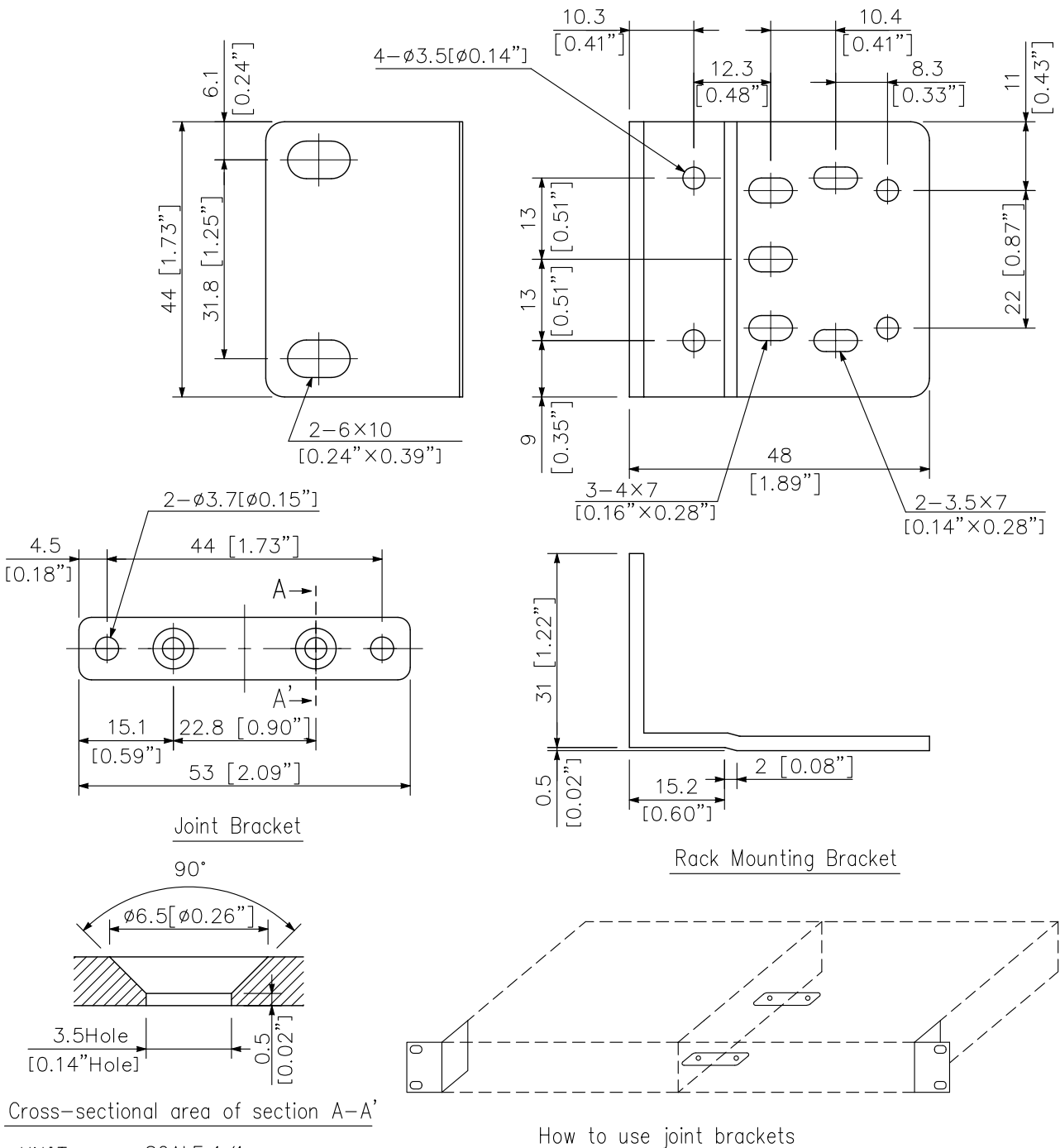
DESCRIPTION

The MB-15B-J is used for side-by-side connection of two one-unit size components that are 210 mm (8.27") in width in a component rack.

SPECIFICATIONS

| | |
|-----------------|---|
| Finish | Black |
| Weight | 0.12 kg (0.26 lb) |
| Set Composition | Mounting bracket.....2, Joint bracket.....2 |
| Accessories | Binding head Taptite screw (B tight 3×14)8 Binding head Taptite screw (B tight 3×8).....6 Binding head screw (M3×12)6 Oval head screw (M3×6)4 Binding head Taptite screw (S tight 5×12)4 Fiber washer (5.2×10.5×t1.0)4 |

APPEARANCE



Cross-sectional area of section A-A'

UNIT:mm SCALE:1/1

How to use joint brackets