

DESCRIPTION

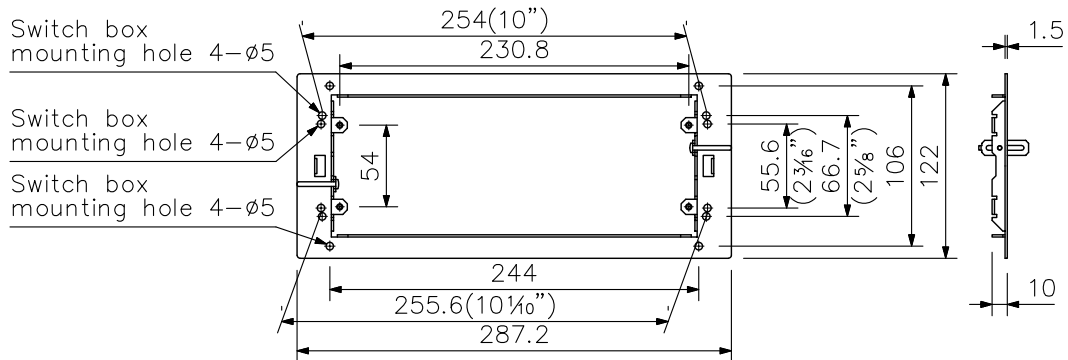
The HY-H1 is an optional Adapter Frame for the H-1 speaker.

SPECIFICATIONS

Finish	Stainless steel
Dimensions	287.2 (W) × 122 (H) × 10 (D) mm
Weight	210 g
Usable Speaker	H-1

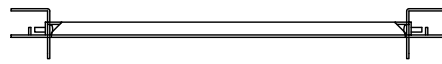
[Note] The adapter frame is also supplied with the H-1 speaker.

APPEARANCE

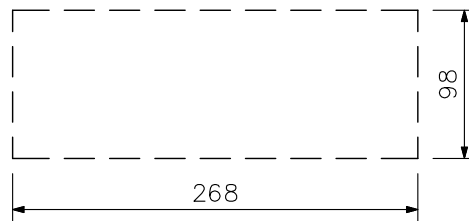


Front View

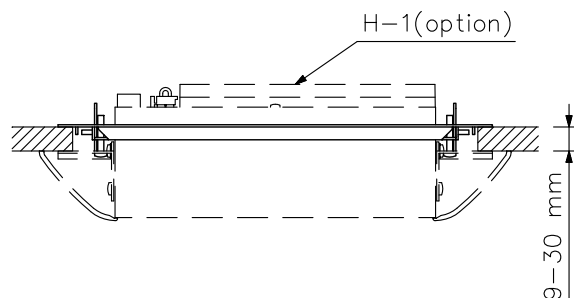
Side View



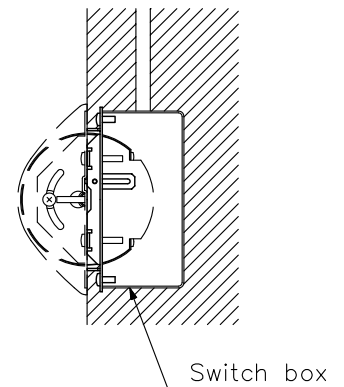
Side View



Mounting hole dimensional diagram



Installation example



Installation example

UNIT:mm SCALE:1/5