

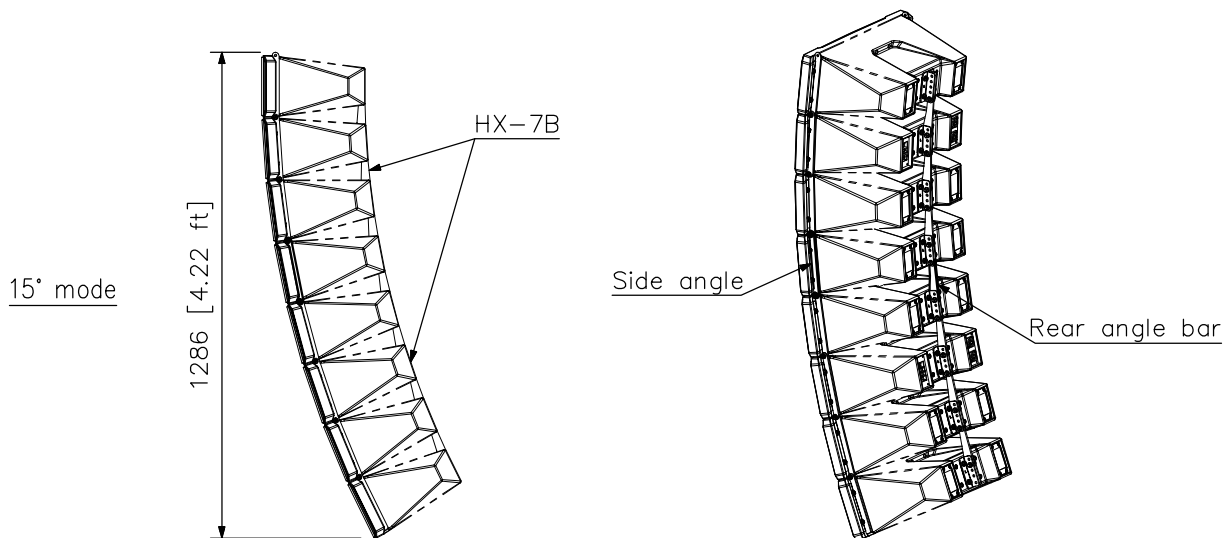
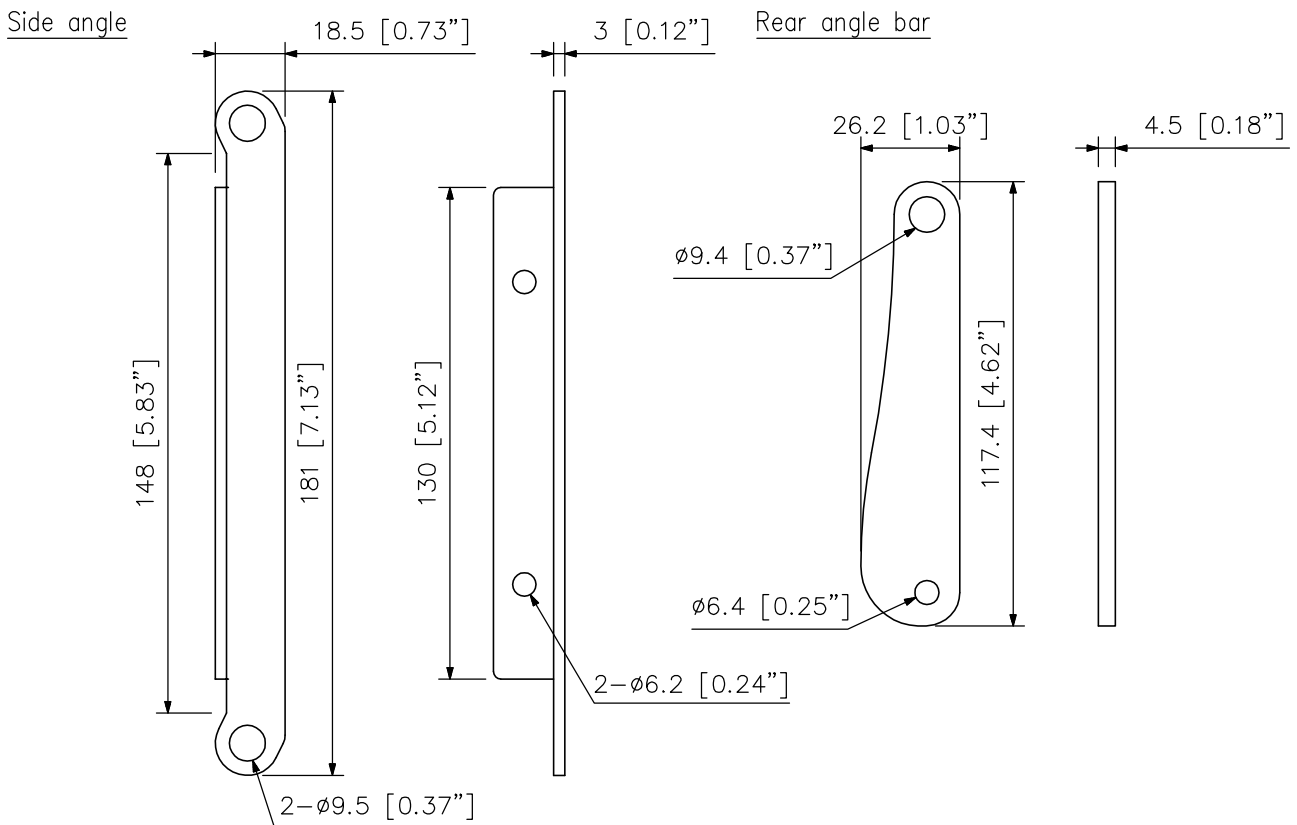
DESCRIPTION

The HY-CN7B is used to join 2 HX-7B speaker systems, typically for the purpose of achieving better speaker directivity control in lower frequencies. Such directivity control helps achieve clearer and longer-rangesound reproduction in locations where sound efficiency may be hampered by conditions like long reverberation time or a high level of background noise.

SPECIFICATIONS

Finish	Steel plate, black, semi-gloss, paint
Weight	300 g (0.66 lb)
Accessory	Spacer (golden) ...2, Spacer (black) ...1, Rubber ring ...2, Flange nut...2, Rear angle bar mounting bolt ...2, Side angle mounting bolt ...2
Product Composition	Side angle ...2, Rear angle bar ...1

APPEARANCE



Speaker mounting example

UNIT: mm SCALE: 1/2