

### DESCRIPTION

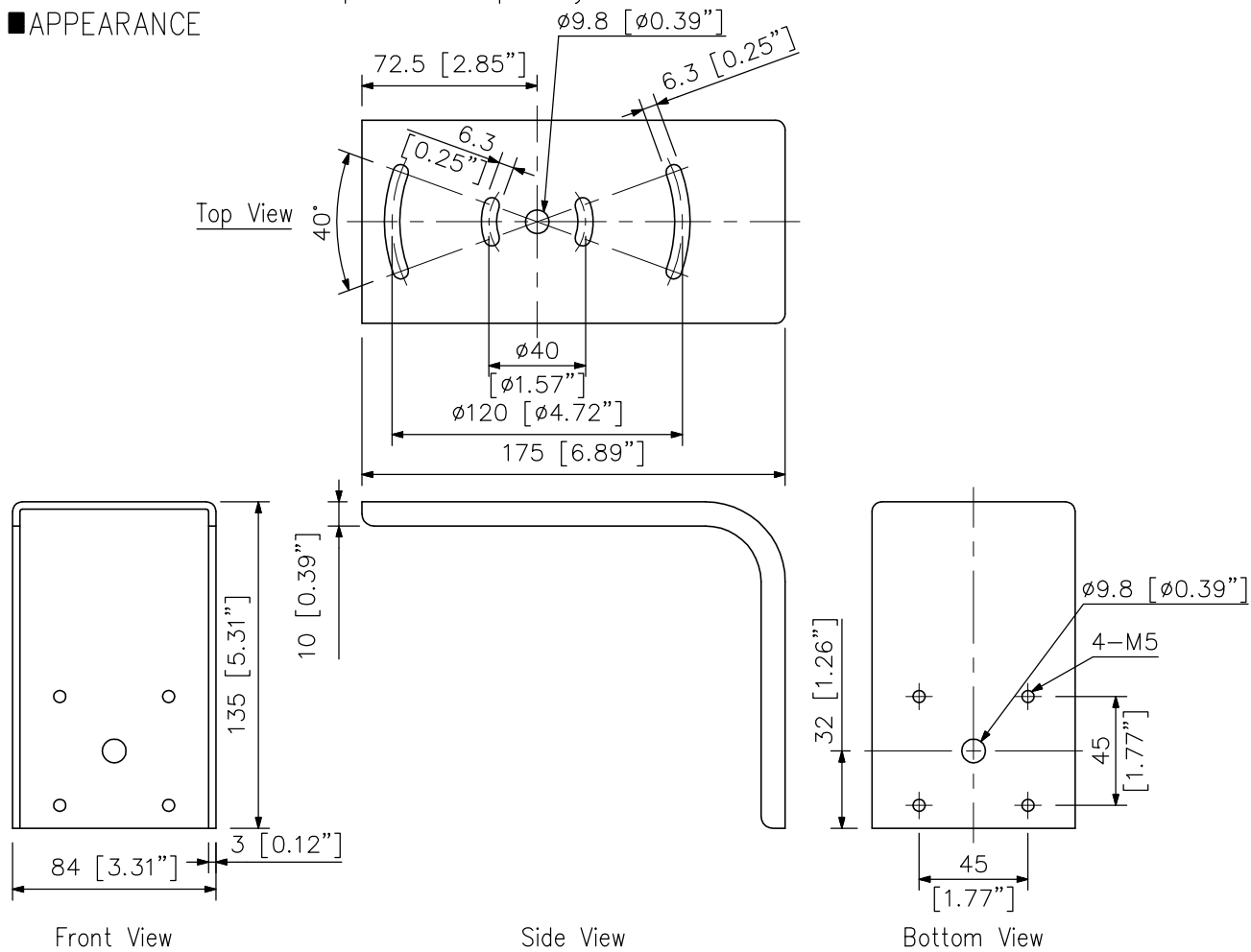
The HY-CM20B Ceiling Mounting Bracket is used to mount F-2000 Series speakers to a ceiling in a horizontal configuration.

### SPECIFICATIONS

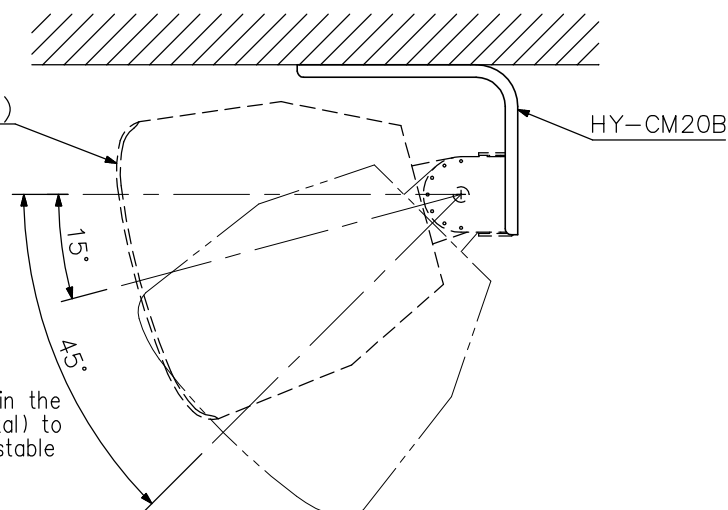
Finish	Steel plate, black, paint
Dimensions	84 (W) × 135 (H) × 175 (D) mm (3.31" × 5.31" × 6.89")
Weight	610 g (1.34 lb)
Accessory	Speaker mounting bracket (with washer) ×4

Note: Bolts and nuts for mounting the bracket to the ceiling are not included. Prepare them separately.

### APPEARANCE



F-2000B (option)  
or F-2000BT (option)



\*Adjust the speaker angle within the downward range of 0° (horizontal) to 45°. The speaker angle is adjustable in 7.5° steps.

UNIT:mm SCALE:1/3

Installation view (scale: 1/6)