

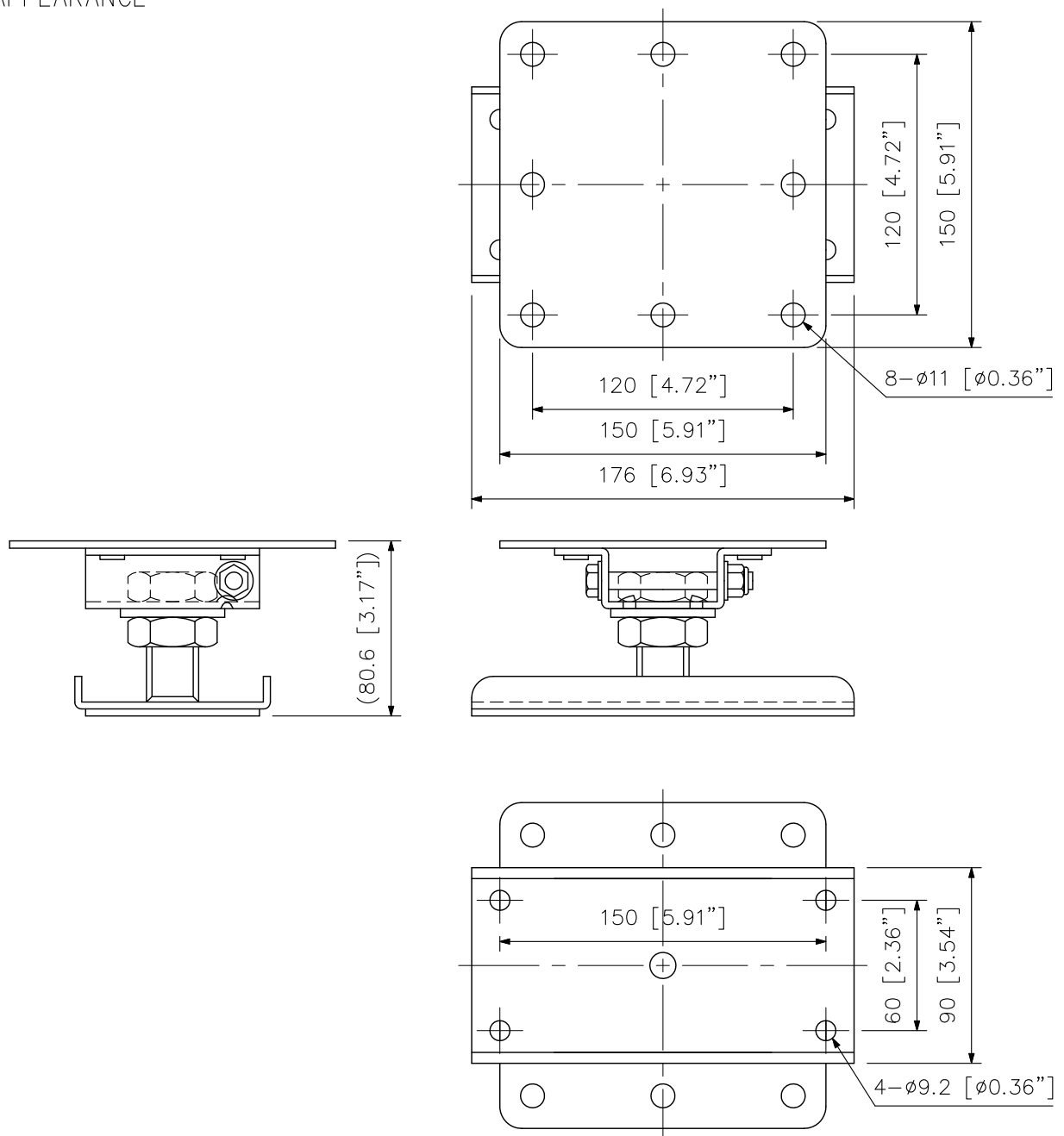
## DESCRIPTION

The HY-C0801 Ceiling Mount Bracket is designed to mount the speaker system to a ceiling in conjunction with the optional speaker mount bracket.

## SPECIFICATIONS

|                      |   |
|----------------------|---|
| Applicable Speaker   | ES-0851, HS-120B, HS-150B, HS-1200BT, HS-1500BT, HX-7B                                      |
| Finish               | Rolled steel plate, black, semi-gloss, paint  |
| Maximum Speaker Load | 35 kg (77.16 lb)  |
| Weight               | 1.9 kg (4.19 lb)  |
| Accessory            | Speaker mounting bolt (with washer) ..... 4   |
| Option               | Mounting bracket: HY-0851ST, HY-0852ST, HY-1200HB, HY-1200VB, HY-1500HB, HY-1500VB, HY-VM7B |

## APPEARANCE



UNIT:mm SCALE:1/3

Note: Numerical values in parentheses are for reference only.