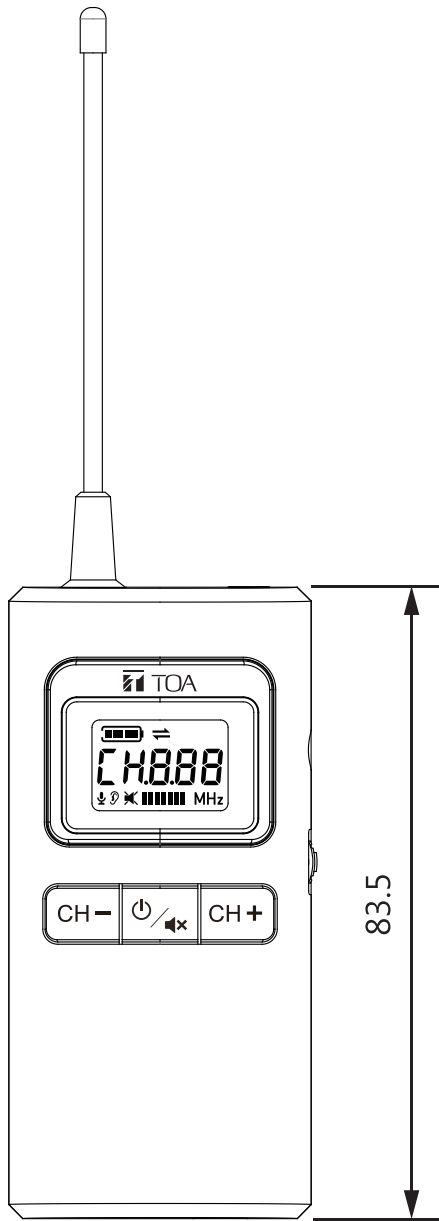


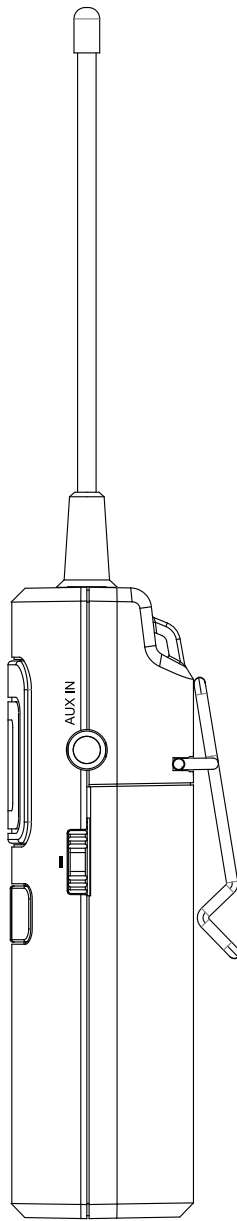
## ■ SPECIFICATIONS

Model number	WG-D100T-EB WD4D00	WG-D100T-AS WM1D00	WG-D100T-AS WC4D01
Frequency	863-865MHz	510-530MHz	748.3-757.7 803.3-805.7MHz
Modulation	GFSK		
Audio sampling	8KHz 16bit		
Latency	22ms		
Frequency response	65Hz-3.8kHz		
Dynamic range	> 80 dB		
Signal to Noise	> 70 dB		
THD at 1KHz	< 1.5%		
Service coverage	Indoor: 100m / Outdoor: >150m		
Operating temperature	-10 ~ 50°C		
RF output power	10 mW		
3.5mm phone jack	Mic in x 1 / Aux in x 1		
Microphone source	Built-in & External		
Input level	Mic: -35.5dBV / Aux: -25dBV		
Front + & - buttons	Channel selector		
Power button	Power on / off and Mute		
Side Momentary 3way tact switch	+ : Volume up		
	Center push : Corresponding frequency		
	- : Volume down		
Battery	Ni-MH type "AA" 1.2V x 1 / Alkaline "AA" 1.5V x 1		
Battery life (approx.) w/ 2600mAh battery	12 hr		
Charging source	DC 5V Micro USB		
Charging time	Depends on battery type and capacity		
Charging current	255 ± 10 mA		
LCD display	Channel, Battery indicator, Volume, Signal Strength		
Antenna	Whip		
Regulatory compliance	CE FCC		
Dimension	40(W) × 24.6(D) × 83.5(H)mm , Antenna length not included		
Weight	38.6 g (batteries not included)		
Color	Black frame		
Accessories			
Lapel mic : LM-17	O	O	O
Belt clip : BC-01	O	O	O
Lanyard(Black) : LY-01B	O	O	O
Ni-MH rechargeable battery : RB2600	O	X	X
Universal USB adapter : MUA-11	X	O	O
USB cable : USBY-01	X	O	O

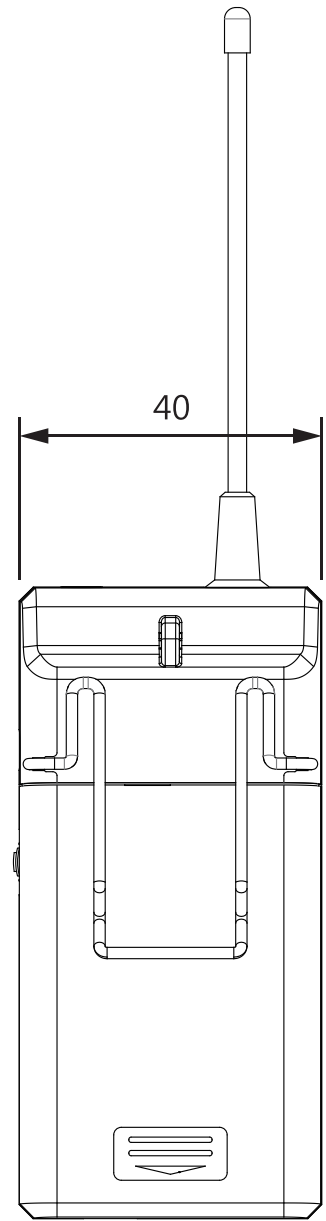
■ APPEARANCE



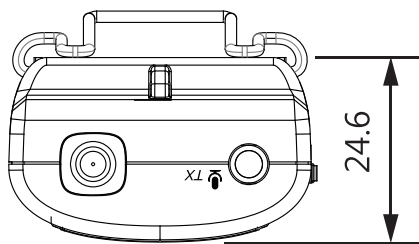
Front view



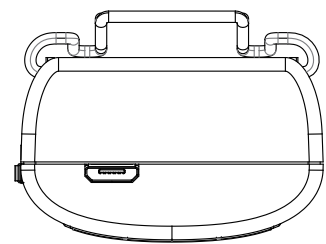
Side view



Rear view



Top view



Bottom view

UNIT: mm SCALE: 1/1