

TOA SPEAKER SYSTEM (For outdoor use) F-1300WTWP

DESCRIPTION

The F-1300 Series Speaker are compact two-way speaker systems designed for high efficiency, wide range, and high power input handling capability. These speaker systems can be installed in a manner ideal for the location and intended application. The F-1300WTWP features a water-proof design (splash-proof type meeting IPX4 standard), so that it can be permanently installed outdoors.

SPECIFICATIONS

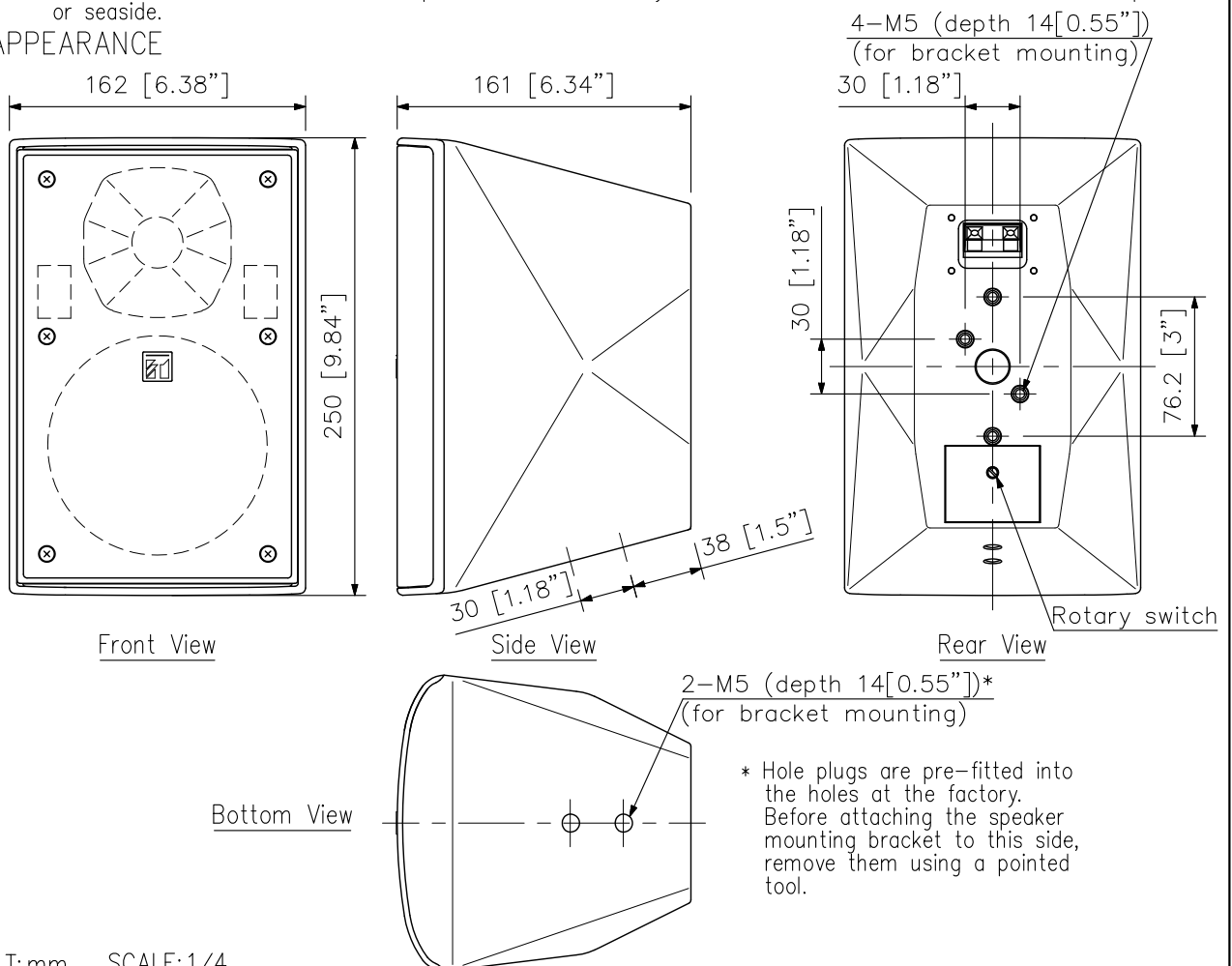
Enclosure	Bass-reflex type
Rated Input	30 W
Rated Impedance	100 V line: 330 Ω (30 W), 1 kΩ (10 W), 3.3 kΩ (3 W), 10 kΩ (1 W) 70 V line: 170 Ω (30 W), 330 Ω (15 W), 1 kΩ (5 W), 3.3 kΩ (1.5 W), 10 kΩ (0.5 W)
Sensitivity	90 dB (1 W, 1 m) at installation in 1/2 free sound field
Frequency Response	80 Hz - 20 kHz, -10 dB at installation in 1/2 free sound field
Crossover Frequency	2 kHz
Directivity Angle	Horizontal: 110°, Vertical: 100°
Speaker Component	Low frequency: 13 cm (5") cone-type, High frequency: 25 mm (1") dome tweeter
Input Terminal	Push-in terminal
Water Protection	IPX4
Operating Temperature	-10 °C to +50 °C (14 °F to 122 °F)
Finish	Enclosure: HIPS, white Punched net: Surface-treated steel plate, white, anticorrosive paint Joint bracket, wall bracket: Stainless steel Speaker bracket: Die-cast aluminum, white, paint
Dimensions	162 (W) × 250 (H) × 161 (D) mm (6.38" × 9.84" × 6.34")
Weight	3.6 kg (7.94 lb) (including the supplied brackets)
Accessory	Speaker bracket ---1, Joint bracket ---1, Wall bracket ---1, Bracket fixing screw ---1 set, Terminal cover ---1, Terminal cover mounting screw ---4
Option	Speaker mount bracket: YS-60B

Note: Bolts and nuts for mounting the bracket to the wall or ceiling are not included. Prepare them separately.
Avoid installing the speaker in locations close to the seashore or in indoor swimming facilities that are not well ventilated. In such locations the bracket may be vulnerable to corrosion, eventually allowing the speaker to fall resulting in personal injury.

※ Caution on installation

Do not install the F-1300WTWP at places where it is likely to be corroded such as bath room, indoor pools, or seaside.

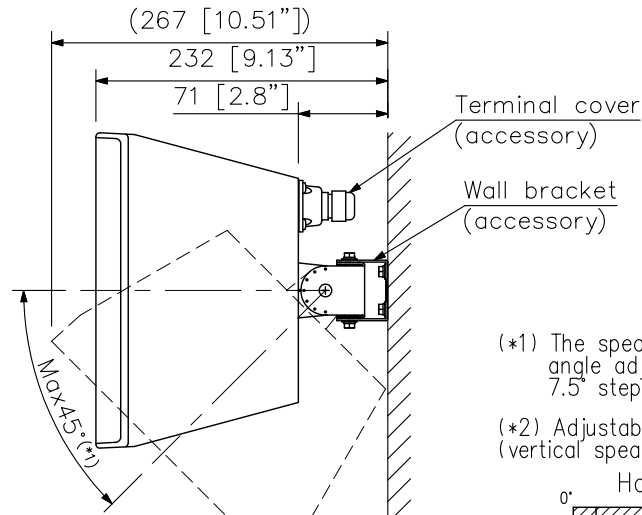
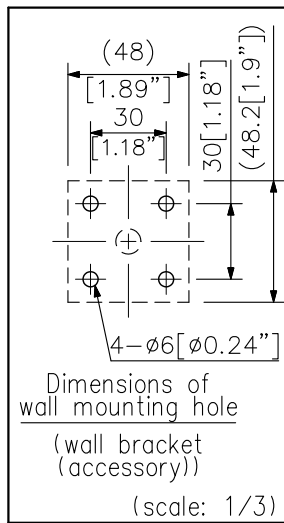
APPEARANCE



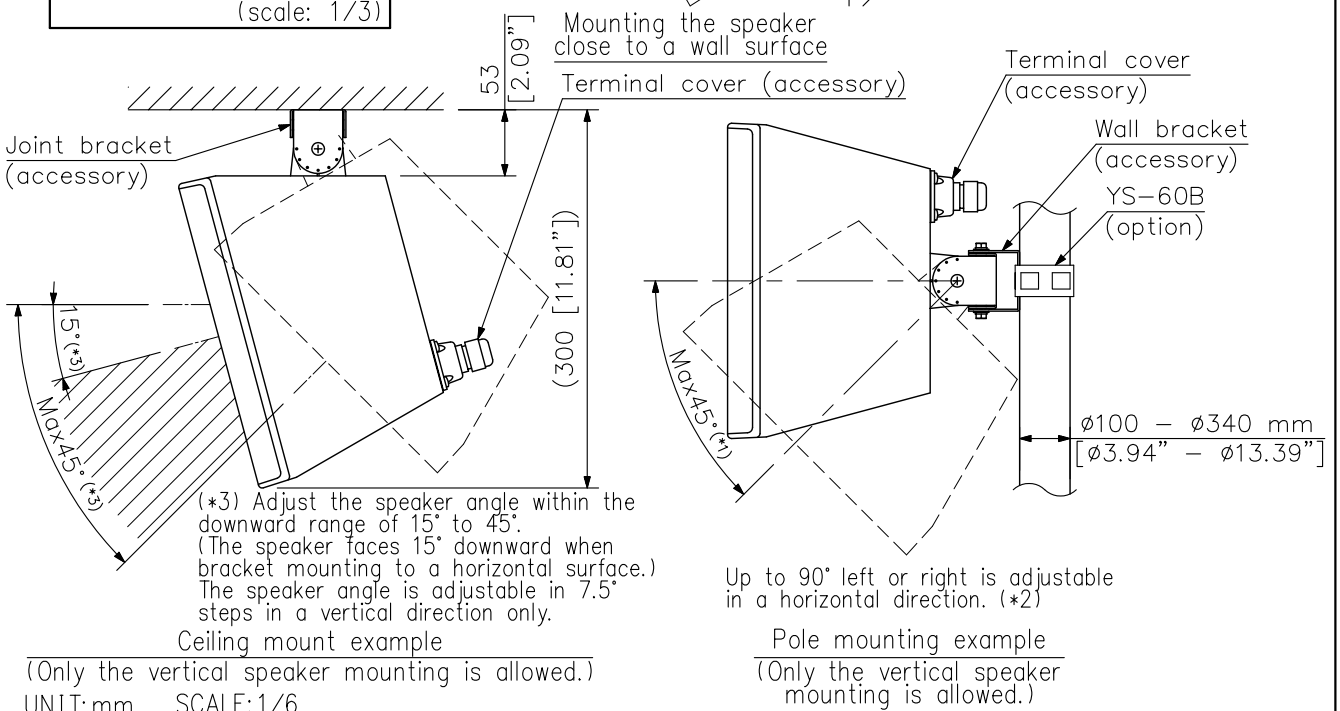
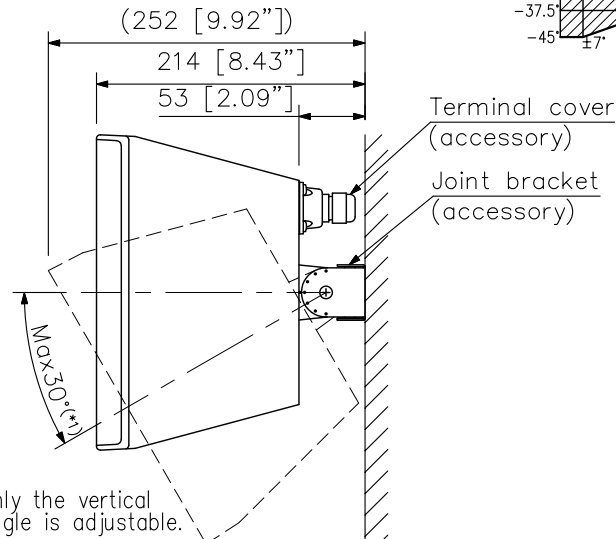
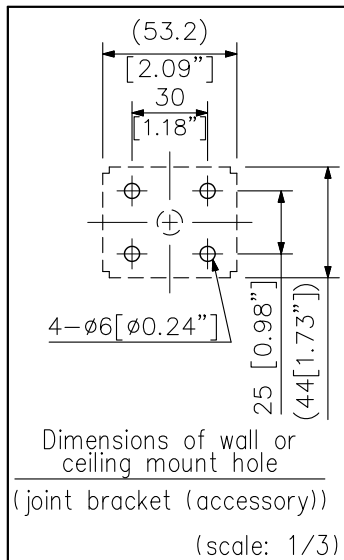
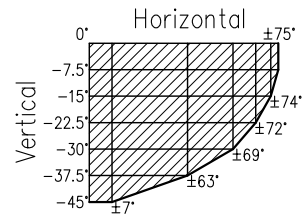
UNIT:mm SCALE:1/4

TOA SPEAKER SYSTEM (For outdoor use) F-1300WTWP

■ APPEARANCE



- (*1) The speaker vertical angle adjustable in 7.5° steps.
- (*2) Adjustable angle (vertical speaker mounting)



- (*3) Adjust the speaker angle within the downward range of 15° to 45°. (The speaker faces 15° downward when bracket mounting to a horizontal surface.) The speaker angle is adjustable in 7.5° steps in a vertical direction only.