

CHIME MICROPHONE

EC-380-AS

1. SAFETY PRECAUTION

Before installation or use, be sure to carefully read and follow all the precautionary instructions in this section to ensure long, trouble-free use of your equipment.

⚠ WARNING Indicates a potentially hazardous situation which, if mishandled, could result in death or serious personal injury.

⚠ WARNING

- Be sure to act on the instructions as safety precaution to prevent bodily injury and property damage.
 - Use the appropriate battery. Pay attention with the batteries polarity when insert the batteries to unit.
- Avoid direct exposure to sunlight, high temperature or high humidity when save the batteries.
- If unit not use ± 10 days, loose the batteries to prevent the battery leakage.

2. SAFETY MAINTENANCE

- Do not expose the unit to rain or an environment where it may be splashed by water or other liquid, high temperature and high humidity.
- Do not open the cover to modification of unit. For service, contact the nearest TOA dealer.
- Do not drop the unit to hard object and use dry cloth to clean the unit. Do not use gasoline, thinner, etc.

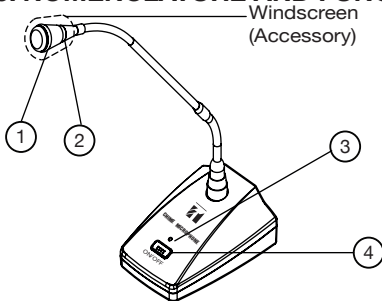
3. GENERAL DESCRIPTION

TOA's EC-380-AS Chime Microphone is a unique shape and high quality condenser microphone designed for paging applications. It has 2 tones, chime up and chime down at the beginning and end of speech. This product is equipped with an optional power that is selectable between battery or DC power. Beside that, power can be supplied from RJ45.

4. FEATURES

- Pre-paging chime of 4-tone up and end-paging chime of 4-tone down.
- Microphone operation by selecting the battery/DC power switch on the rear of the unit.
- Use four pieces batteries size "AA".

5. NOMENCLATURE AND FUNCTIONS



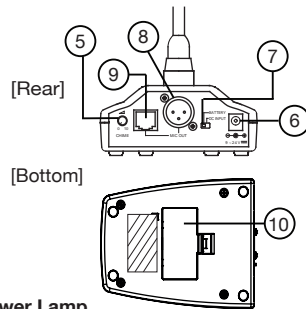
1. Microphone

Close-talk type cardioid electret condenser microphone. The mic shaft facilitates positioning of the microphone for the optimum acoustic effect.

2. Mic Lamp

The light blinks blue when 4-tone chime is play, then stay on when the microphone is turn on and it will turn off after chime down finish.

Note : if battery is low, the mic lamp will be turn off, but the microphone and power lamp still can be operated. Recommended to change the batteries when this happen.



3. Power Lamp

Same as mic lamp, the light blinks blue when 4-tone chime is play, stay on when the microphone is turn on and turn off after chime down ifinish.

4. Microphone ON/OFF Button

Pressing this key sounds a 4-tone chime and turns on/off the microphone.

5. Chime Volume Control [CHIME VOL.]

Turning the control clockwise to increase the chime volume.

6. DC Power

Using DC power 9 - 24V as replacement of battery supply.

7. Selector Switch

Selecting this switch to use battery or DC power as the power supply for this unit.

8. XLR Balance Output

Output impedance of the microphone is 600 ohms. Use the supplied cable to connect with an amplifier.

9. RJ45 Balance Output

Use STP cable of straight type to connect with other equipment.

6. BATTERY

6.1. Life Span

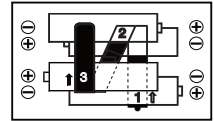
Application and use battery for paging be assumed 150 times/day and unit can use until 20 months or 90 thousand calls.

6.2. Battery Insertion

Step 1. Open the battery cover. Insert the battery according to battery polarity and ribbon position (see the right picture)

Step 3. Put back the battery cover to product.

Caution : To release the batteries, please pull the remaining ribbon carefully from the battery compartment.



Pin configuration : Pin 1, 2: contact output; Pin 3: NC (Not Connected); Pin 4: Audio Output (H); Pin 5: Audio Output (C); Pin 6: NC; Pin 7: 24 VDC; Pin 8: Ground /E.

10. Battery Compartment

Place AA batteries (4 pieces) .

7. CONNECTION

Step 1. Set the amplifier's microphone volume control to the minimum position.

Step 2. Using the supplied cable or STP cable of straight type to connect with other equipment (amplifier, mixer, PA system, etc)

8. OPERATION

Step 1. Press the microphone ON/OFF button. The mic lamp and the power lamp light blinks blue and turning on the microphone.

Step 2. Keep your mouth 5 – 10 cm away from the microphone and speak normally for the best possible sound reproduction. Adjust the microphone orientation for the best position by turning its mic shaft. If distance of mouth is too near, it cause voice distortion. Adjust the microphone by pulling away or lowering it. Because the high sensitivity's microphone.

Step 3. After announcement is completed, press the microphone ON/OFF button. Both of the unit's lamp will light blinks blue and microphone turn off.

Note : Be sure to press the ON/OFF button after announcement completion. Failure to do this, shortening the battery life. Be sure to turn off the phantom power on other equipment if use chime microphone for durability of unit.

9. USING THE SWITCH SELECTOR MODE

Selector switch have 2 modes. There are battery mode and DC power mode. If using battery as power input, select the switch to battery position and if using DC input as power input, select to DC power position.

Note : For using RJ45 as mic out and power input, set the switch to DC input position, but if just as mic out, can use one of the switch selector mode.

10. SPECIFICATION

Power Source	6V DC (4 x "AA" battery) or DC power (9 - 24 V)
Current Consumption	13 mA when chime and 6 mA microphone operate
Element	Condensor Microphone
Polar Pattern	Cardioid
Chime Tones	4 - Tones chime (UP / DOWN)
Impedance	600 ohm, Balanced
Sensitivity	Microphone : $-41 \pm 3\text{dB}$ (1kHz 0dB = 1V / Pa) Chime Tones : $-31 \pm 3\text{dB}$ (posisi maksimum)
Frequency Response	50 - 18,000 Hz
Connector Output	XLR 3 - 32 Equivalent RJ45 : Audio output, power supply dan control output
Operating Temperature	0 °C to +40 °C (32 °F to 104 °F)
Finish	Stand = ABS Resin, Hitam, Cat Shaft = Copper alloy, Hitam, Cat
Dimensions	110 (w) x 145 (d) x 532 (h) mm
Weight	558 g (exclude batteries)
Acessories	Windscreen 1 XLR to Phone Jack Cable (7.5m)1

Note : The design and specifications are subject to change without notice for improvement.

Traceability Information for Europe

Manufacturer :
PT. TOA GALVA INDUSTRIES
Jl. Raya Bogor km 34-35, Tapos
Depok 16958, Indonesia

Authorized representative :
TOA Electronic Europe GmbH
Suederstrasse 282, 20537 Hamburg,
Germany