

DESCRIPTION

The ER-3215 is an easy-to-operate, hand grip type 15 W megaphone with a removable microphone. It can be used as a shoulder-type megaphone when the microphone is detached. The newly developed polyimide diaphragm is employed to ensure high sound quality.

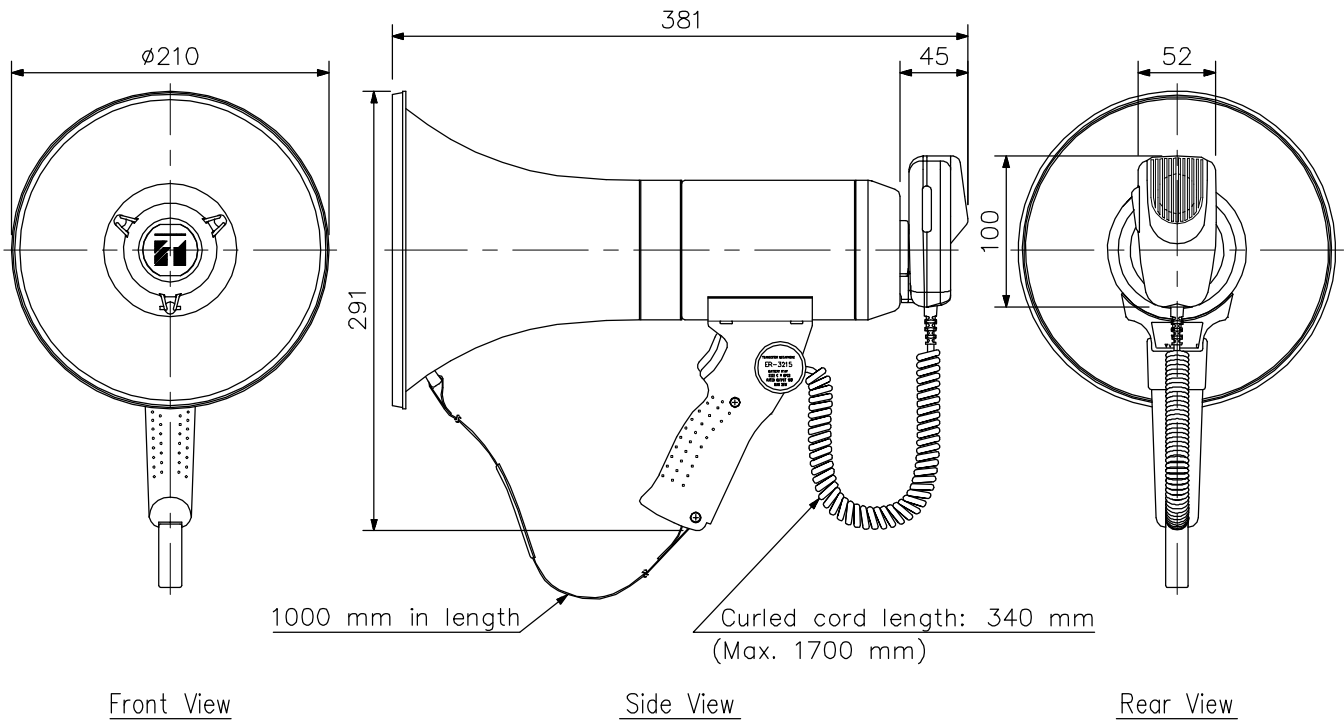
SPECIFICATIONS

Power Source	R14P (C) × 6 (9 V DC)
Rated Output	15 W
Maximum Output	23 W
Battery Life	Approx. 9 hours (JEITA)*
Audible Range	Approx. 400 m (JEITA)*
Diaphragm	Polyimide film (voice coil, bobbin)
Operating Temperature	-10 °C to +40 °C
Finish	Horn: ABS resin, light gray Mouth, battery case and handle: ABS resin, gray Strap: Nylon, black
Dimensions	210 (W) × 291 (H) × 381 (D) mm (when attaching the microphone)
Weight	Body: 1.15 kg (without batteries and microphone) Microphone: 150 g

Note: Batteries are optional.

* JEITA: Japan electronics and information technology industries association. (EIAJ TT-4501A)

APPEARANCE



<Note on the audible range and battery life>

1. The indications of the audible range and battery life are based on the JEITA Standard*.
2. Audible range presumes that the megaphone employs new batteries and is used on a quiet street.
It varies depending on such conditions as battery consumption, ambient noise, wind direction, and obstacles.
3. Battery life assumes that megaphone is used for 30 minutes a day.

UNIT:mm SCALE:1/5