

TOA MEGAPHONE (WITH WHISTLE SIGNAL) ER-2215W/(EU)

DESCRIPTION

The ER-2215W is a shoulder megaphone rated at 15 W of output. The ER-2215W comes with a whistle and has a separate microphone. It can be mounted to the optional ST-16A speaker stand. The newly developed polyimide diaphragm is employed to ensure high sound quality.

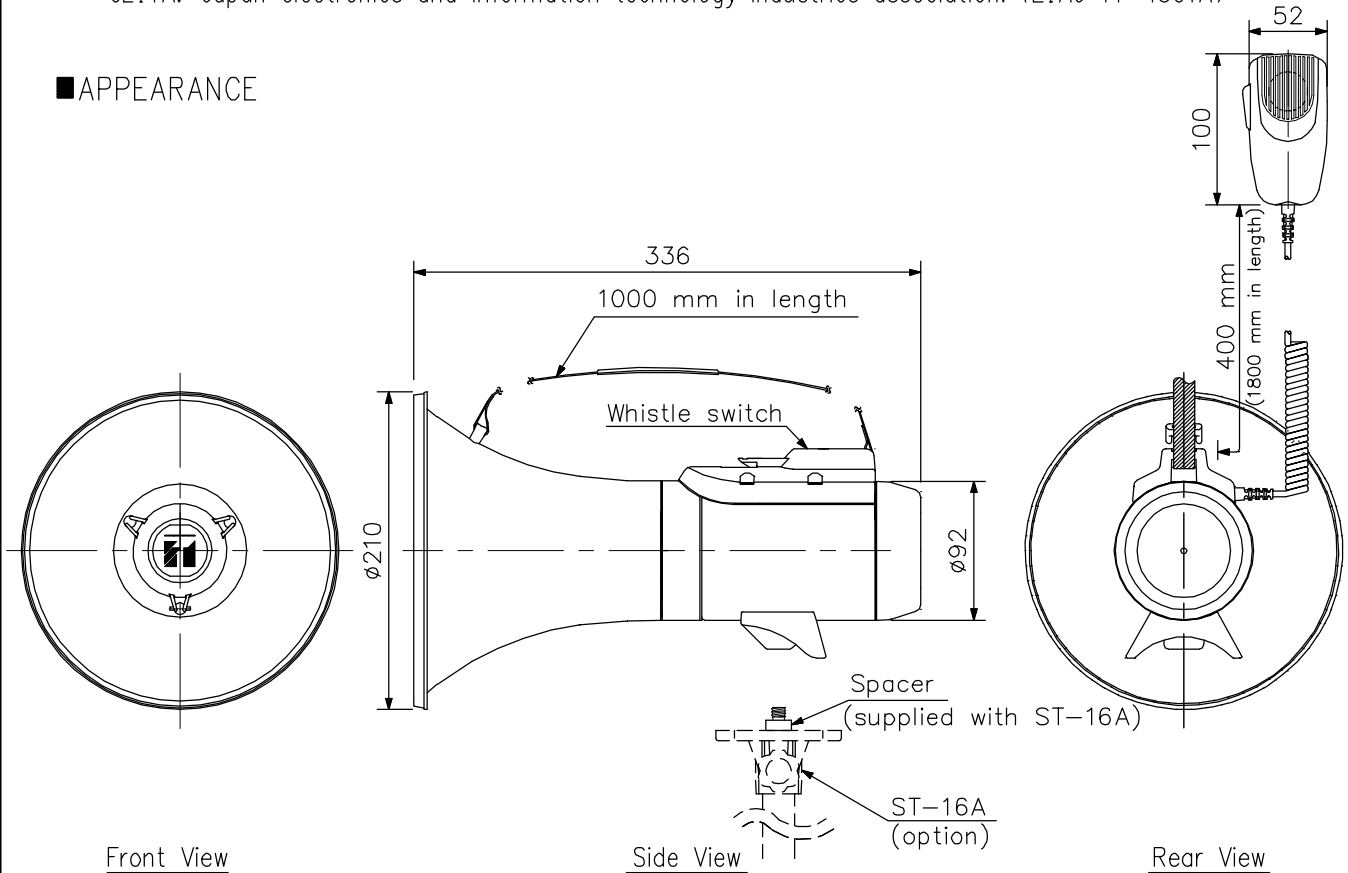
SPECIFICATIONS

Power Source	R14P (C) × 6 (9 V DC)
Rated Output	15 W
Maximum Output	23 W
Battery Life	Voice: Approx. 9 hours (JEITA)*, Whistle: Approx. 20 minutes (JEITA)*
Signal Sound	Whistle (1.6 to 2.4 kHz)
Audible Range	Voice: Approx. 400 m (JEITA)* Whistle: Approx. 500 m (JEITA)*
Diaphragm	Polyimide film (voice coil, bobbin)
Operating Temperature	-10 °C to +40 °C
Finish	Horn: ABS resin, light gray Microphone and other: ABS resin, gray Strap: Nylon, black
Dimensions	∅210 X 336 mm
Weight	Body: 1.2 kg (without microphone and batteries) Microphone: 150 g
Option	Speaker stand: ST-16A

Note: Batteries are optional.

* JEITA: Japan electronics and information technology industries association. (EIAJ TT-4501A)

APPEARANCE



<Note on the audible range and battery life>

1. The indications of the audible range and battery life are based on the JEITA Standard*.
2. Audible Range presumes that the megaphone employs new batteries and is used on a quiet street.
It varies depending on such conditions as battery consumption, ambient noise, wind direction and obstacles.
3. Battery Life assumes that megaphone is used for 30 minutes a day.

UNIT:mm SCALE:1/5