

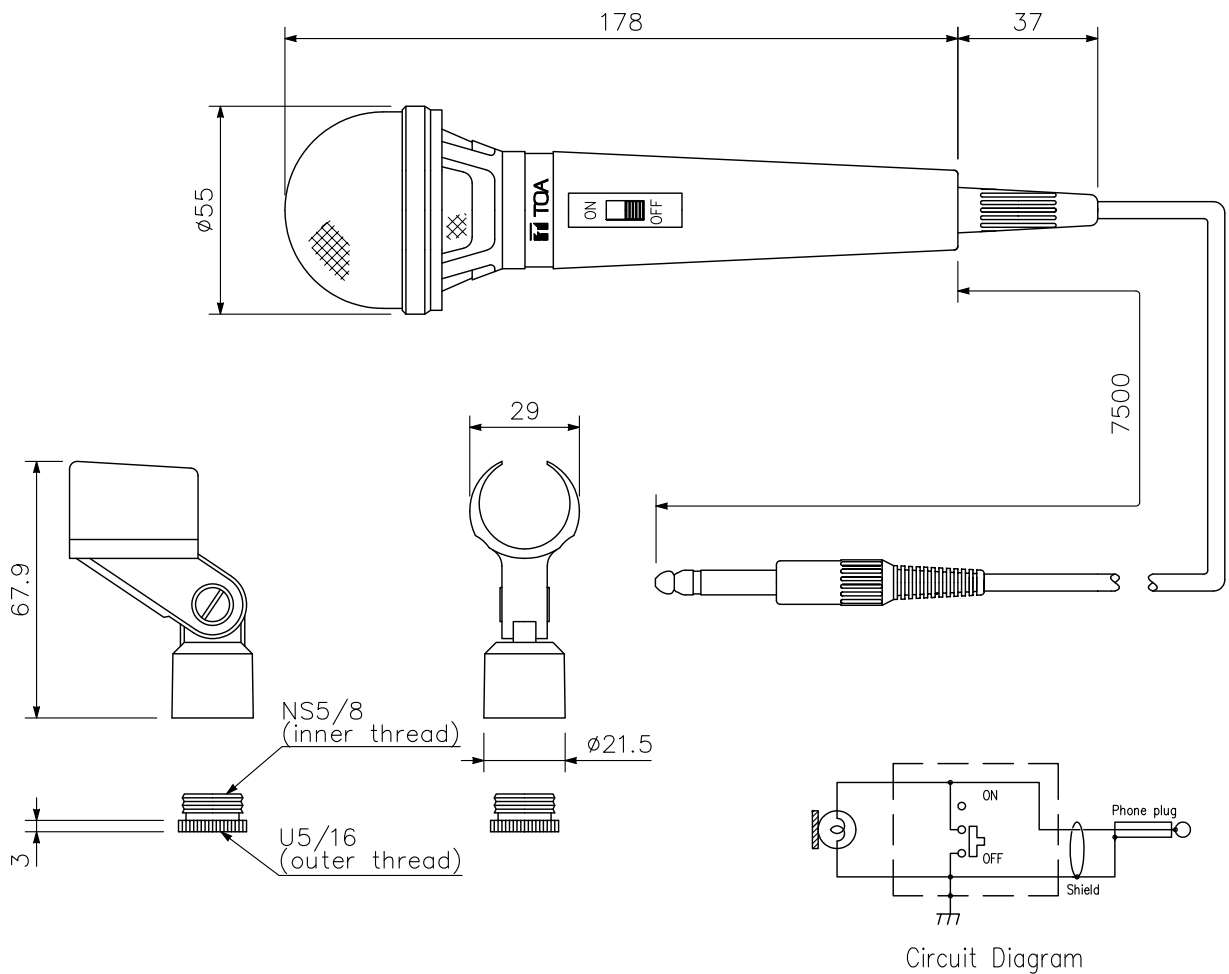
■DESCRIPTION

The DM-1100 is a multi-purpose microphone featuring high intelligibility.

■SPECIFICATIONS

Type	Moving coil microphone
Directivity	Unidirectional
Rated Impedance	600 Ω, unbalanced
Rated Sensitivity	-55 dB (1 kHz 0 dB=1 V/Pa)
Frequency Response	100 Hz - 12 kHz
Connection Cable	Single-core shielded cable
Cable Length	7.5 m
Terminal of Cable	Phone plug
Talk Switch	Short-off, slide switch
Finish	Body: Die-cast aluminum, black Head: ABS resin/zinc-plated steel wire, black
Dimensions	ø55 × 178 mm (microphone body)
Weight	155 g (without connection cable)
Accessory	Microphone holder (U5/16, NS5/8)

■APPEARANCE



UNIT:mm SCALE:1/2