

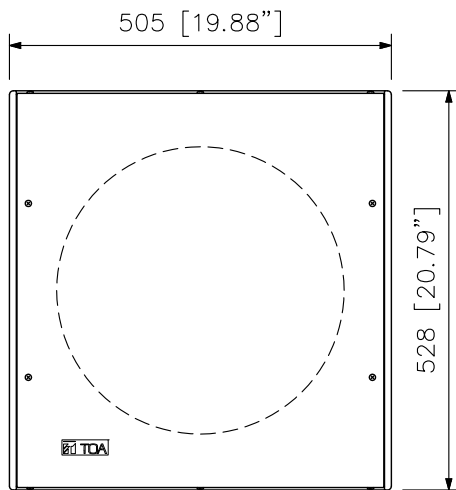
■ DESCRIPTION

The FB-150W is a compact, indoor-use subwoofer system employing a high-power 38 cm (15") woofer. It is designed for use in conjunction with TOA's HX-7W or other full range speakers, and is particularly ideal for reproducing dynamic low-frequency sound for both permanent and temporary installations.

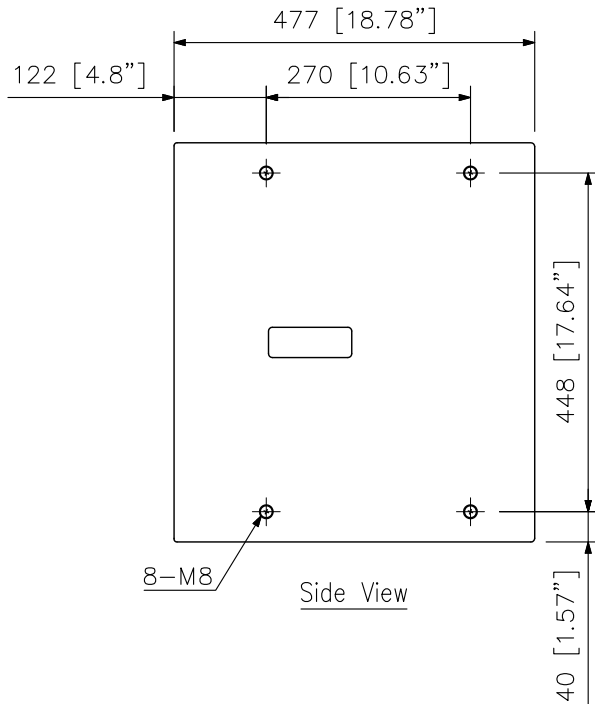
■ SPECIFICATIONS

Power Handling Capacity	Continuous pink noise: 200 W Continuous program: 600 W
Impedance	8 Ω
Sensitivity	93 dB (1 W, 1 m)
Frequency Response	40 - 400 Hz (-10 dB)
Speaker Component	38 cm (15") cone-type
Input Terminal	Speakon NL4MPXX × 2 and M4 screw terminal, distance between barriers: 10 mm (0.39")
Finish	Enclosure: MDF, white, urethane paint Punched net: Surface-treated steel plate, white, paint
Dimensions	505 (W) × 528 (H) × 477 (D) mm (19.88" × 20.79" × 18.78")
Weight	30 kg (66.14 lb)
Option	Speaker rigging frame: HY-PF7W

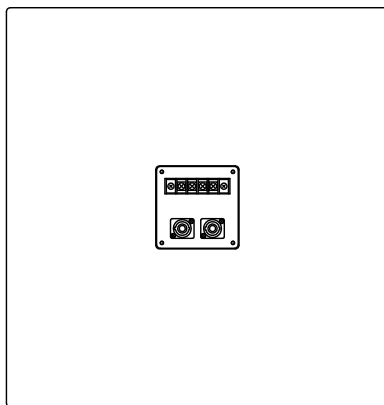
■ APPEARANCE



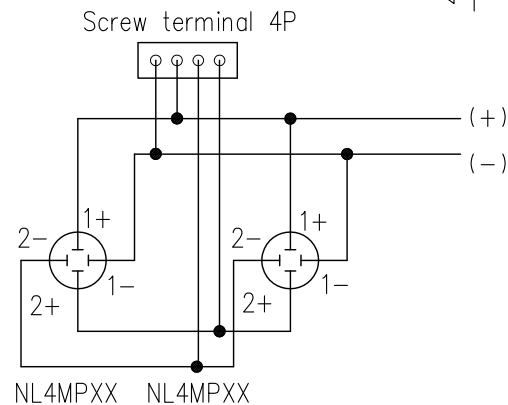
Front View



Side View



Rear View



Wiring Diagram

UNIT: mm SCALE: 1/10