

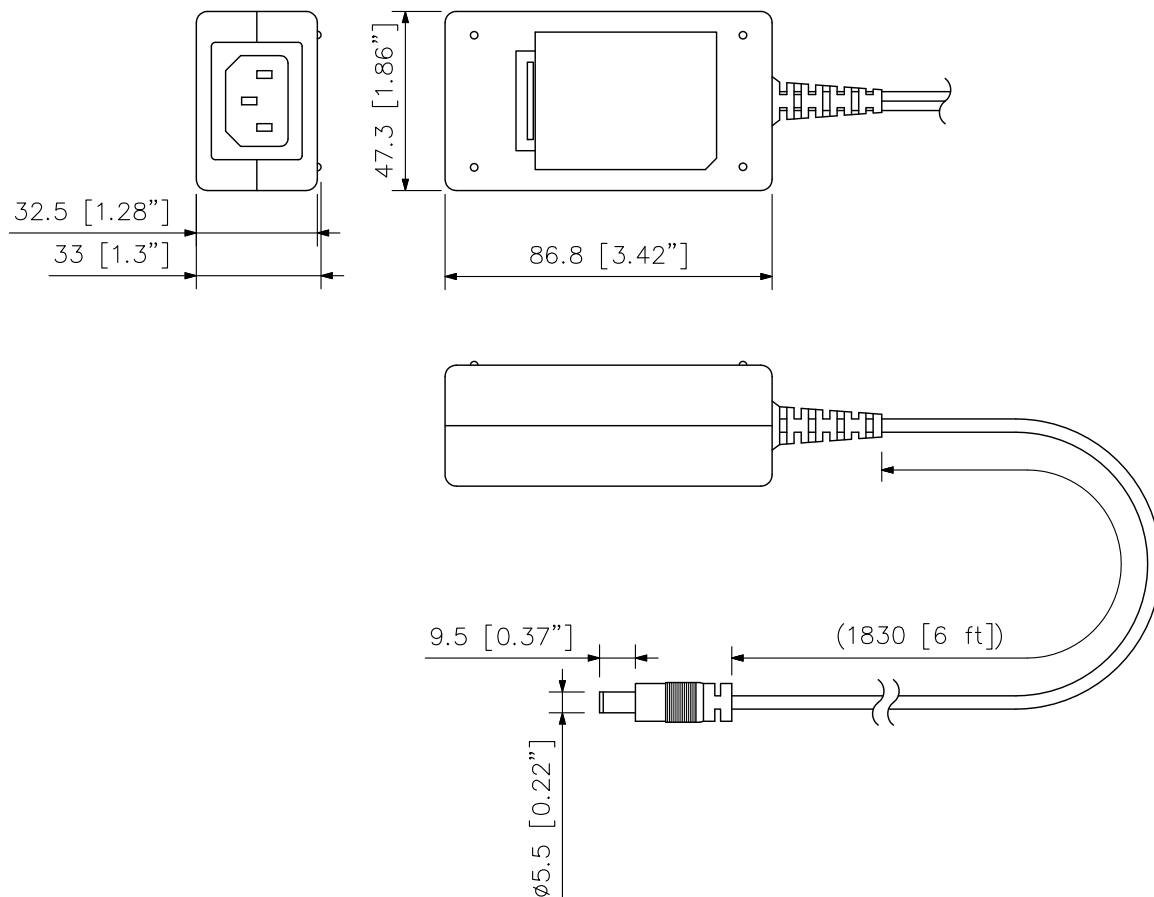
DESCRIPTION

The AD-0910 is an AC adapter to operate the Chairman units TS-801 and TS-901, and the Delegate units TS-802 and TS-902 on AC.

SPECIFICATIONS

Power Source	100 – 240 V AC, 50/60 Hz
Output	9 V DC, 1 A
Ripple Voltage	200 mV (p-p)
Power Consumption	400 mA AC, Input 100 V
Cord Length	1.8 m (5.91 ft)
Plug	RC6705, center "+"
Operating Temperature	0 °C to +40 °C (32 °F to 104 °F)
Operating Humidity	90 %RH or less (no condensation)
Finish	Case: Resin, black
Weight	150 g (0.33 lb)
Accessory	AC power cord (2 m (6.56 ft))1

APPEARANCE



Version	CE	CE-GB	UL
AC plug			

UNIT:mm SCALE:1/2

Note: Numerical values in parentheses are for reference only.