

DESCRIPTION

The ER-2215 is an easy-to-operate, shoulder megaphone rated at 15 W of output and having a separate microphone.  
 It can be mounted to the optional ST-16A speaker stand.  
 The newly developed polyimide diaphragm is employed to ensure high sound quality.

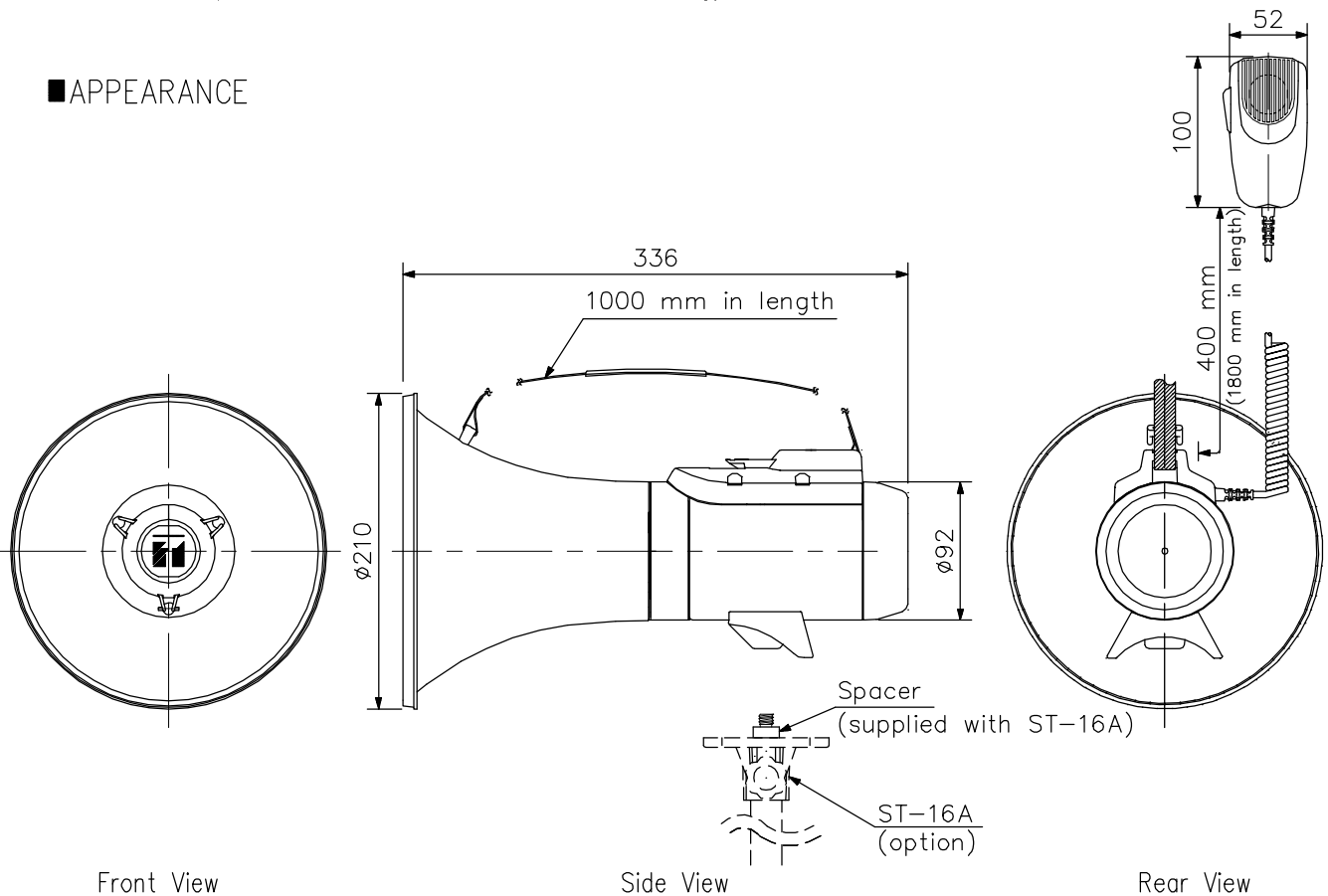
SPECIFICATIONS

|                       |                                                                                             |
|-----------------------|---------------------------------------------------------------------------------------------|
| Power Source          | R14P (C) X 6 (9 V DC)                                                                       |
| Rated Output          | 15 W                                                                                        |
| Maximum Output        | 23 W                                                                                        |
| Battery Life          | Approx. 9 hours (JEITA)*                                                                    |
| Audible Range         | Approx. 400 m (JEITA)*                                                                      |
| Diaphragm             | Polyimide film (voice coil, bobbin)                                                         |
| Operating Temperature | -10 °C to +40 °C                                                                            |
| Finish                | Horn: ABS resin, light gray<br>Microphone and other: ABS resin, gray<br>Strap: Nylon, black |
| Dimensions            | ø210 X 336 mm                                                                               |
| Weight                | Body: 1.1 kg (without microphone and batteries)<br>Microphone: 150 g                        |
| Option                | Speaker stand: ST-16A                                                                       |

Note: Batteries are optional.

\* JEITA: Japan electronics and information technology industries association. (EIAJ TT-4501A)

APPEARANCE



<Note on the audible range and battery life>

1. The indications of the audible range and battery life are based on the JEITA Standard\*.
2. Audible Range presumes that the megaphone employs new batteries and is used on a quiet street.  
It varies depending on such conditions as battery consumption, ambient noise, wind direction and obstacles.
3. Battery Life assumes that megaphone is used for 30 minutes a day.

UNIT:mm SCALE:1/5