

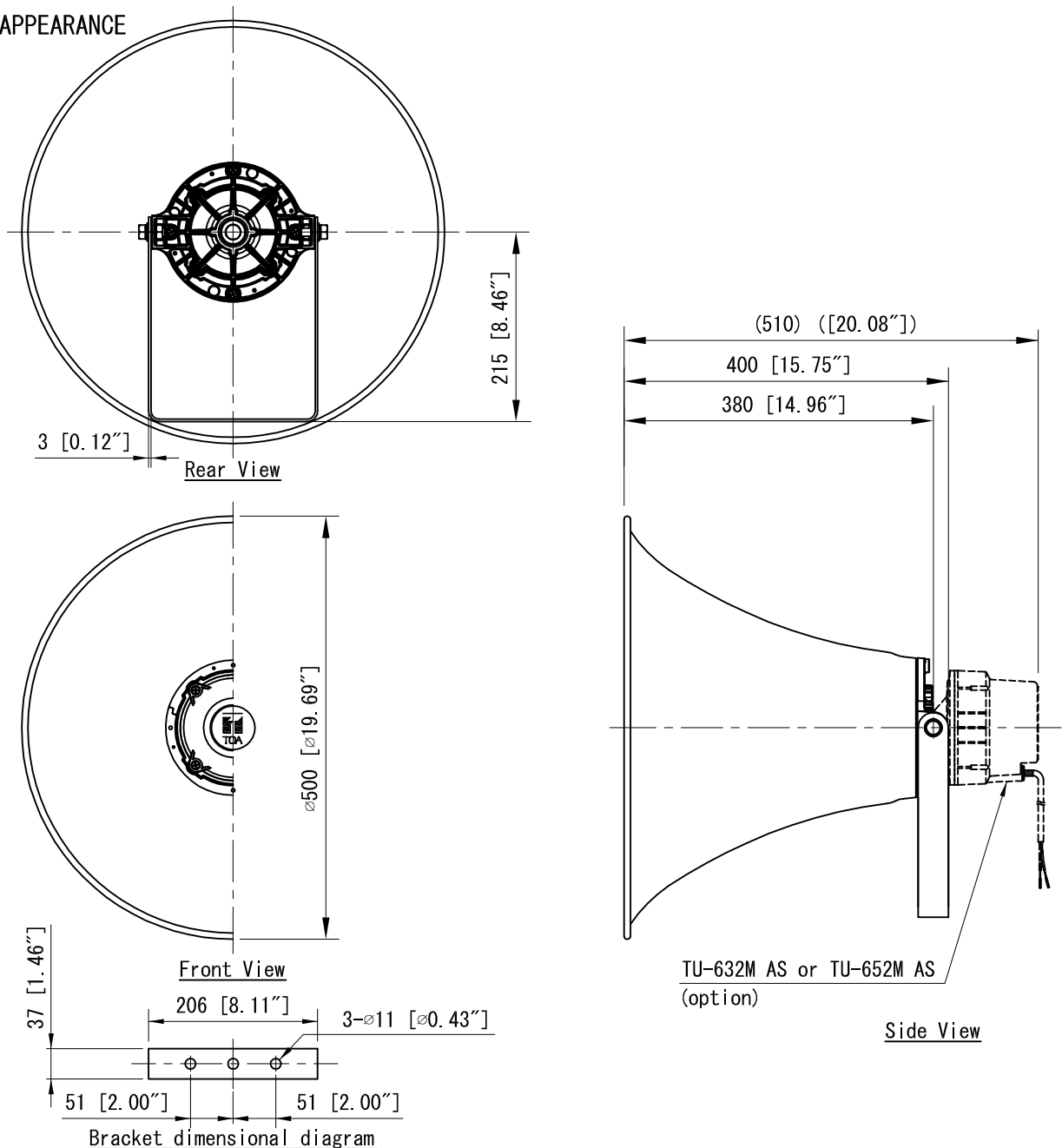
■ DESCRIPTION

TOA's TH-652 AS is a speaker horn to be use in combination with an, optional driver unit. Its powder-coated finish, and stainless steel screws ensure the unit's weatherproof capability.

■ SPECIFICATIONS

Applicable Drivers	TU-632 AS, TU-632M AS, TU-652 AS, TU-652M AS
Sound Pressure Level	110 dB (1 W, 1m) (When operated with a driver.)
Frequency Response	200 - 6,000 Hz (When operated with a driver.)
IP Code	IP 65 (When operated with a driver.)
Driver Coupling	1 - 3/8 18 threads (inch screw)
Operating Temperature	-20° C to +55° C (-4° F to 131° F) (must be free from dew condensation)
Finish	Horn and Flange: Aluminum, White, powder coating Reflector horn: HIPS, White Bracket: Steel, White, powder coating Screws and Bolt: Stainless steel
Dimensions	∅500 X 357 (D) mm (∅19.69" X 14.06")
Weight	2.7 kg (5.95 lb)

■ APPEARANCE



UNIT:mm SCALE:1/8