

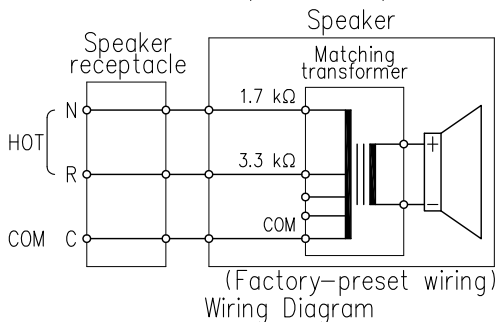
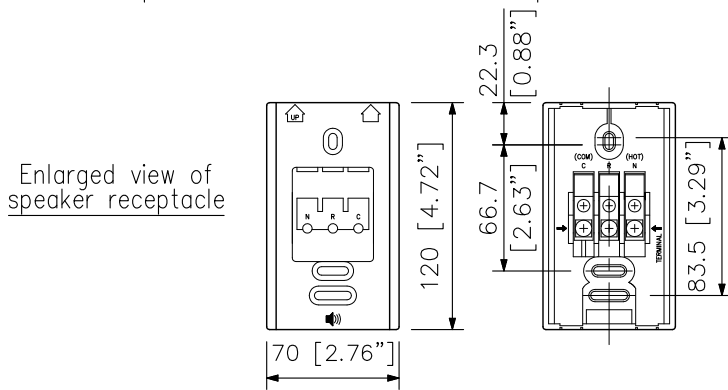
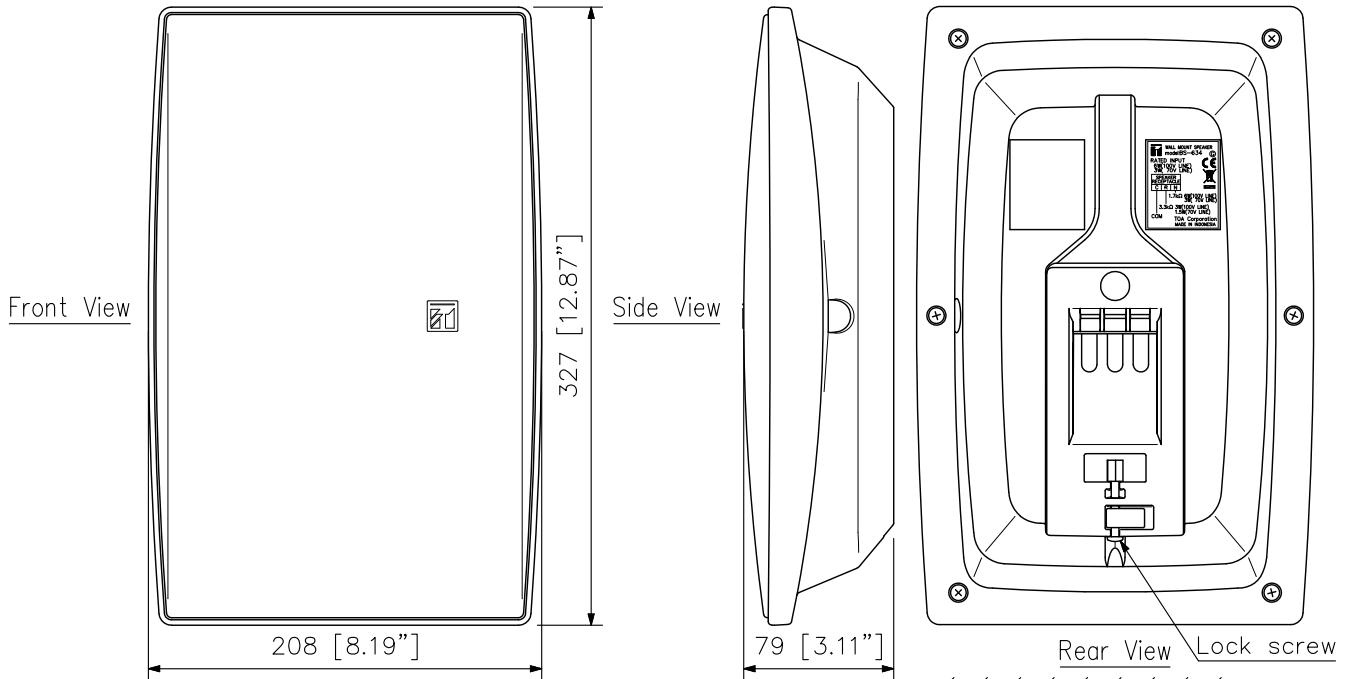
### DESCRIPTION

The BS-634 can be installed easily on the wall with help of the plug-in speaker receptacle.

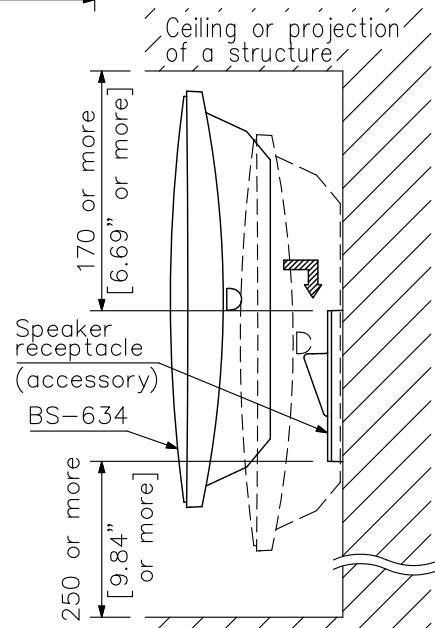
### SPECIFICATIONS

|                    |  |
|--------------------|--|
| Rated Input        | 6 W  |
| Rated Impedance    | 100 V line: 1.7 kΩ (6 W), 3.3 kΩ (3 W)<br>70 V line: 1.7 kΩ (3 W), 3.3 kΩ (1.5 W)  |
| Sensitivity        | 90 dB (1 W, 1 m)   |
| Frequency Response | 120 Hz – 18 kHz  |
| Speaker Component  | 12 cm (5") cone-type   |
| Input Connector    | M4 screw terminal, distance between barriers: 11 mm (0.43")  |
| Finish             | Enclosure: HIPS resin (fire resistant grade UL94 V-0 or its equivalent), off-white (RAL 9010 or equivalent color)<br>Net: Surface-treated steel plate, off-white (RAL 9010 or equivalent color), paint |
| Dimensions         | 208 (W) × 327 (H) × 79 (D) mm (8.19" × 12.87" × 3.11")   |
| Weight             | 1.3 kg (2.87 lb)   |
| Accessory          | Speaker receptacle --1, Wall mounting screw --2  |

### APPEARANCE



UNIT:mm SCALE:1/4



Note: As a force of approx. 18 kg (39.68 lb) is applied to the speaker receptacle at the time of speaker installation, attach it in a location durable enough to withstand the force.

Installation view (scale: 1/6)