

**DESCRIPTION**

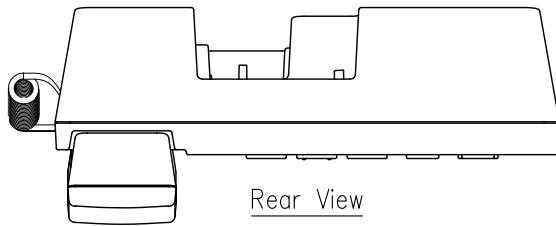
The CX-OP1700 is a Video operation station designed for the CX-1000 series IP communication system. By connecting this station to a network (LAN or WAN), hands-free and handset video conversations and voice conversations can be made using this station or other intercom stations. You can make broadcasts not only to the same model stations and other intercom stations, but also to the Audio interface and amplifier units. It is equipped with a touch screen LCD and a camera, allowing the intuitive operation and video conversations. In addition, other features include a one-touch dialing function, and a headset terminal and an external speaker terminal. Power can be supplied from a PoE-compatible switching hub (in this case, an optional AC adapter is not required). The CX-OP1700 supports the SIP protocol, which allows conversations with general-purpose SIP phones. Images from the general-purpose IP cameras can be displayed. The supplied Angle adjustment stand allows you to adjust the angle when it is placed on a desk.

Note: We do not guarantee the operations of all IP cameras.

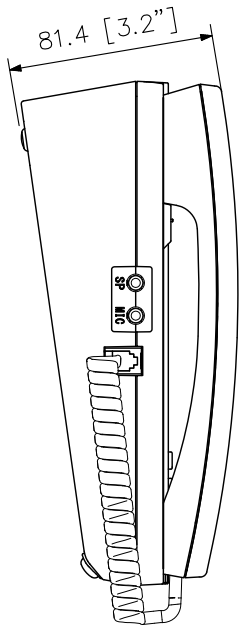
**SPECIFICATIONS**

Power Supply	PoE (IEEE802.3af compliant) or 12 V DC (use of the optional AC adapter)
Current Consumption	PoE: 210 mA, 12 V DC (AC adapter): 680 mA
Power Consumption	8.5 W
Speech Method	Handset: Full-duplex Hands-free: Full-duplex (echo canceller + voice switch), Half-duplex (PTT)
Audio Bandwidth	Conversation: 300 Hz – 7 kHz Broadcast: 300 Hz – 16 kHz
Hands-free	Speaker: Dynamic type speaker, maximum output 2.0 W Microphone: Omni-directional digital MEMS microphone × 2
Handset	Receive path: Dynamic type speaker Send path: Electret condenser microphone
Headset	Speaker: Dynamic type speaker, 32 Ω, Ø3.5 mm mini jack Microphone: Electret condenser microphone, Ø3.5 mm mini jack
External Speaker	Maximum output 2.0 W, 8 Ω, push-in terminal (2 pins)
Signal Processing	Input channel: Gain, EQ × 2, Comp, AGC, noise canceller, echo canceller, voice switch, microphone array, speech intelligibility filter Output channel: Gain, EQ × 7
Network	Network I/F: 100Base-TX Network protocol: TCP/IP, UDP, ARP, ICMP, HTTP, RTP, RTSP, IGMP, NTP, SIP, FTP, RSTP, SNMP Audio packet transmission method: Unicast, Multicast Number of broadcasting destinations: Unicast (max. 16), Multicast (max. 2999) Connector: RJ45 connector × 2, LAN A (PoE compatible), LAN B (PoE compatible) Network cable: UTP (Cat5 or greater)
Audio Transmission Method	Sampling frequency: 48 kHz, 16 kHz, 8 kHz (controllable on the software) Audio codec: PCM, G.722, G.711 μ-Law/A-Law Quantization bit depth: 16-bit Voice packet loss recovery: Silence insertion
Video Transmission Method	Video codec: H.264, MJPEG Resolution: HD 1280 × 720 (max.) Frame rate: 20 fps (max.)
Operation	Touch screen LCD, Dial key, Function 1, Function 2, Broadcast, Hold, Transfer, PTT, Cancel
Indicators	Touch screen LCD: 5" TFT color LCD, 1280 × 780 LED indicators: STATUS (yellow, red, green) × 1
Camera	Image device: 1/2.9 type CMOS Number of effective pixels: 1280 × 720 (max.) Angle of view: horizontal 69°, vertical 37.4°
Control Input	2 channels, no-voltage make contact input, open voltage: 12 V DC, short-circuit current: 5 mA or less, push-in terminal (3 pins)
Control Output	2 channels, open collector output, maximum contact capacity : 30 V DC/100 mA, push-in terminal (3 pins)
Installation Method	Desktop installation or wall mounting (Wall mounting needs an optional bracket.)
Operating Temperature	0 °C to +40 °C (32 °F to 104 °F)
Operating Humidity	90 %RH (no condensation)
Dust/Water Protection	conforming to IP3X
Finish	ABS resin, dark gray
Dimensions	200 (W) × 81.4 (H) × 200 (D) mm (7.87" × 3.2" × 7.87") (excluding cord)
Weight	940 g (2.07 lb)
Accessory	Stand ×1, Stand fixing screw ×2, Zip tie ×2
Option	AC adaptor: AD-1210P, AD-1215P Wall mounting bracket: YC-1001

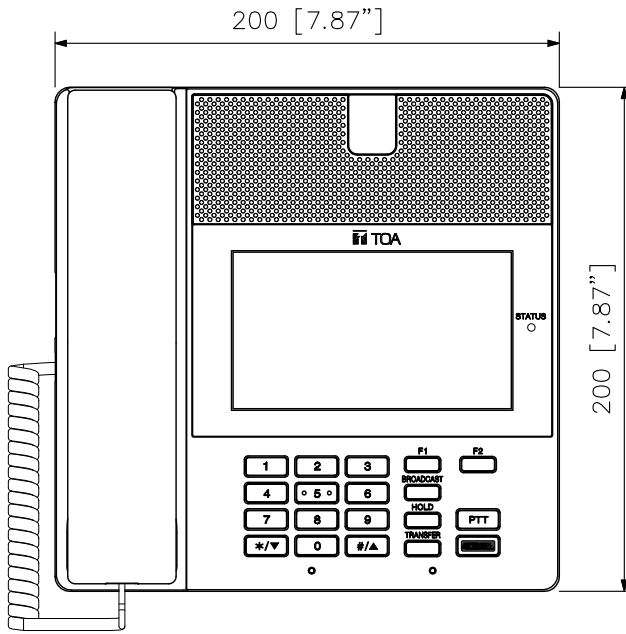
■ APPEARANCE



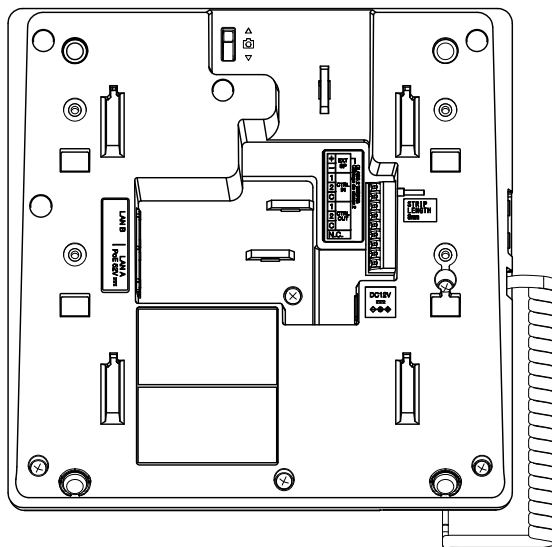
Rear View



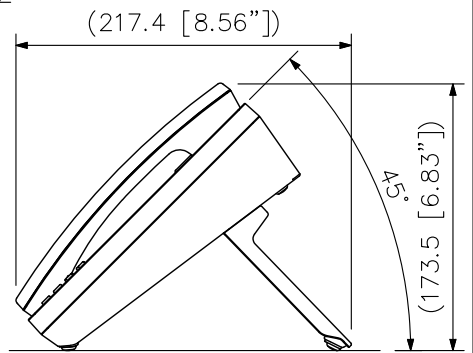
Side View



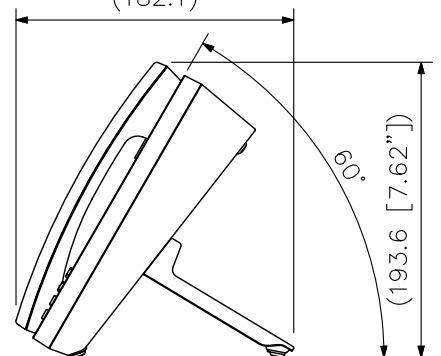
Top View



Bottom View



Stand Installation View (45° upward)  
(SCALE: 1/5)  
(182.1)



Stand Installation View (60° upward)  
(SCALE: 1/5)

UNIT:mm SCALE:1/3

Note: Numerical values in parentheses are for reference only.