

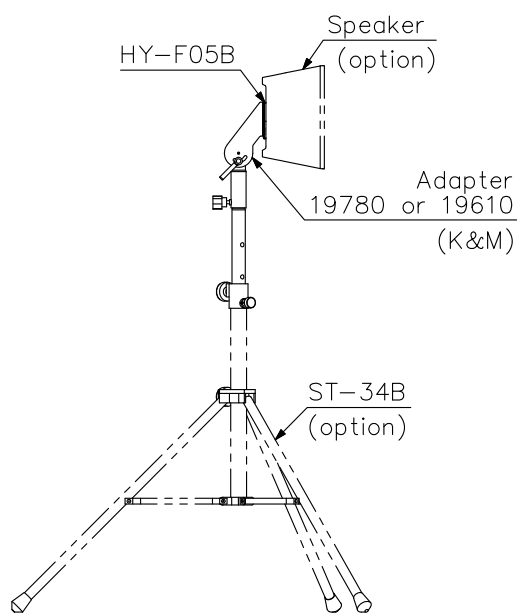
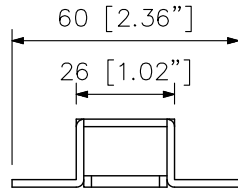
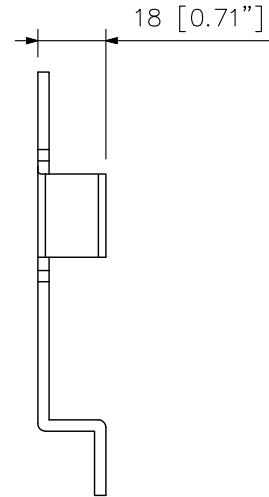
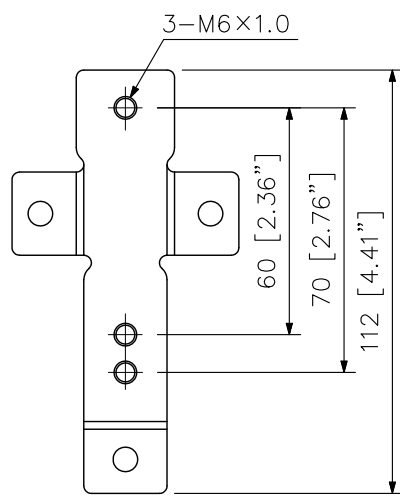
DESCRIPTION

The HY-F05B is a mounting bracket accessory designed for installation of F-05 series speaker systems using optional mounting hardware.

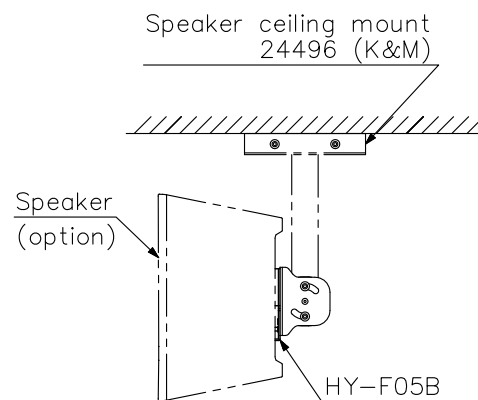
SPECIFICATIONS

Applicable Speaker	F-05BT
Finish	Steel plate, black (RAL 9011 equivalent), paint
Dimensions	60 (W) × 112 (H) × 18 (D) mm (2.36" × 4.41" × 0.71")
Weight	90 g (0.2 lb)
Accessory	Speaker mounting bolt ×1 set

APPEARANCE



Stand mounting example



Ceiling mount example

UNIT:mm SCALE:1/2

Note: K&M's 24359 Adapter panel is required for horizontal installation.

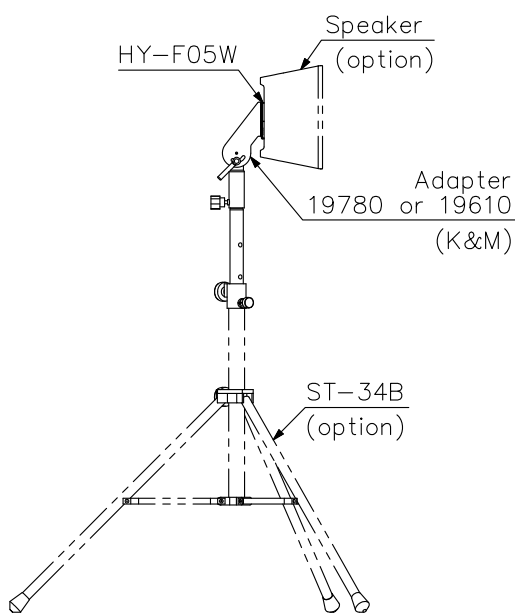
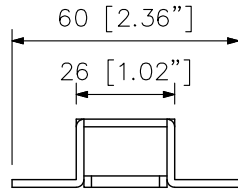
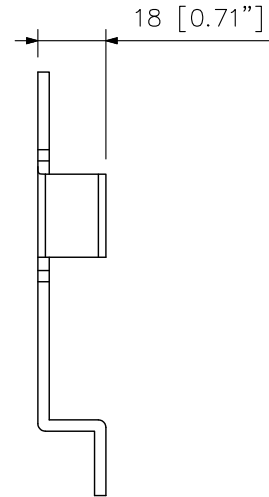
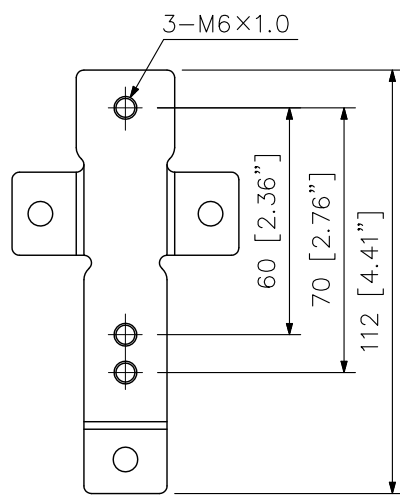
DESCRIPTION

The HY-F05W is a mounting bracket accessory designed for installation of F-05 series speaker systems using optional mounting hardware.

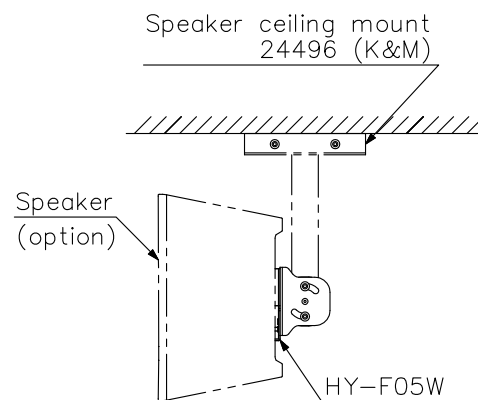
SPECIFICATIONS

Applicable Speaker	F-05WT
Finish	Steel plate, white (RAL 9016 equivalent), paint
Dimensions	60 (W) × 112 (H) × 18 (D) mm (2.36" × 4.41" × 0.71")
Weight	90 g (0.2 lb)
Accessory	Speaker mounting bolt ×1 set

APPEARANCE



Stand mounting example



Ceiling mount example

UNIT:mm SCALE:1/2

Note: K&M's 24359 Adapter panel is required for horizontal installation.