

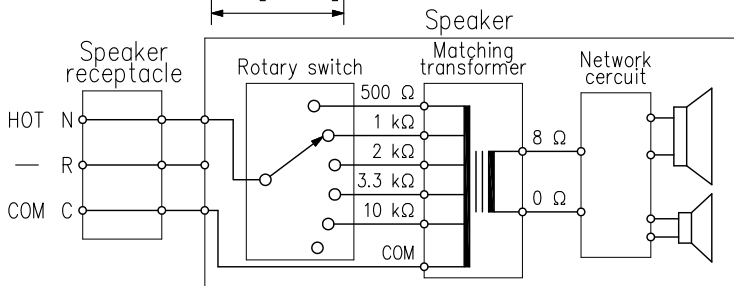
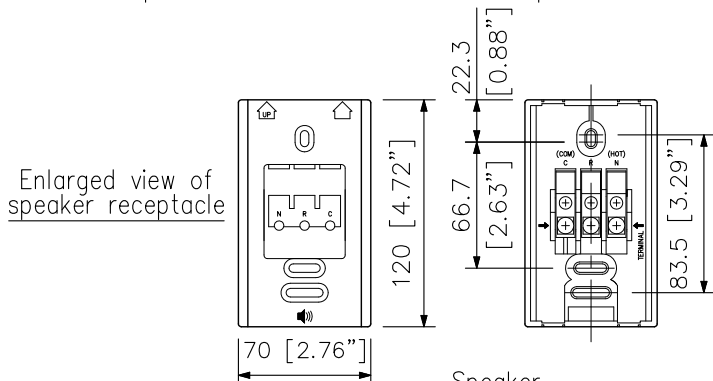
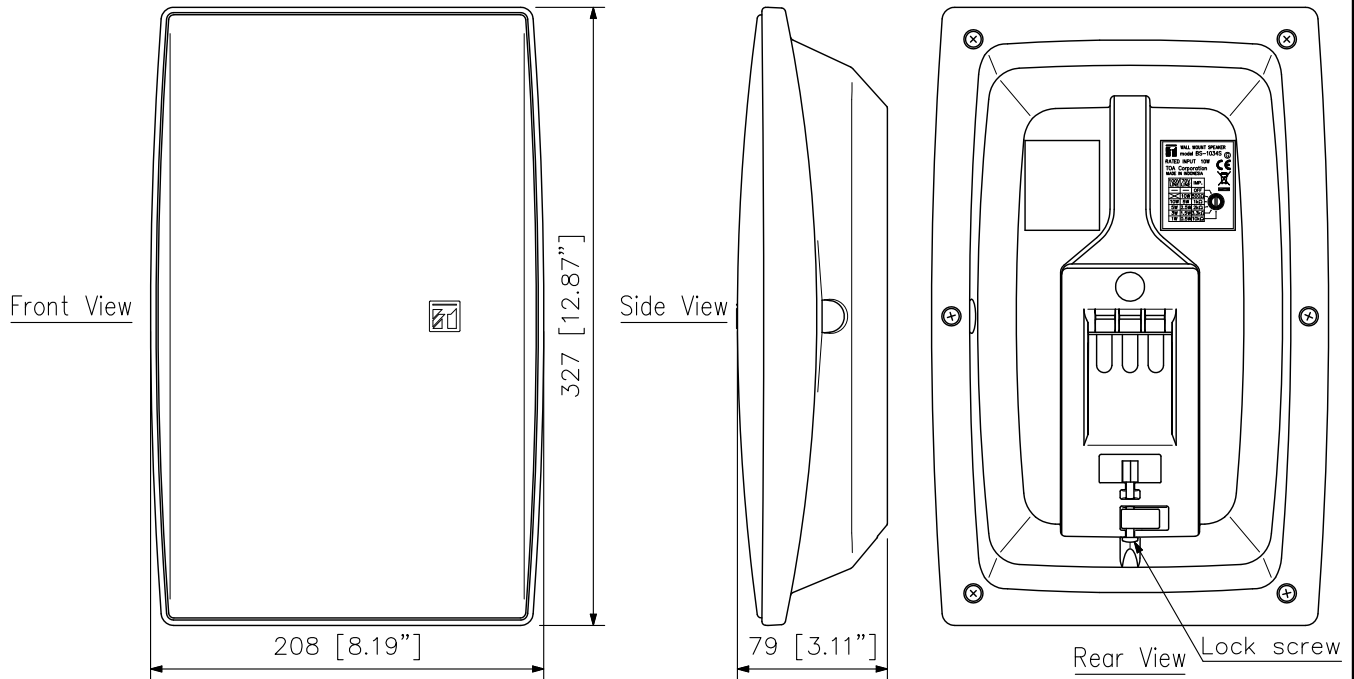
DESCRIPTION

The BS-1034S can be installed easily on the wall with help of the plug-in speaker receptacle.

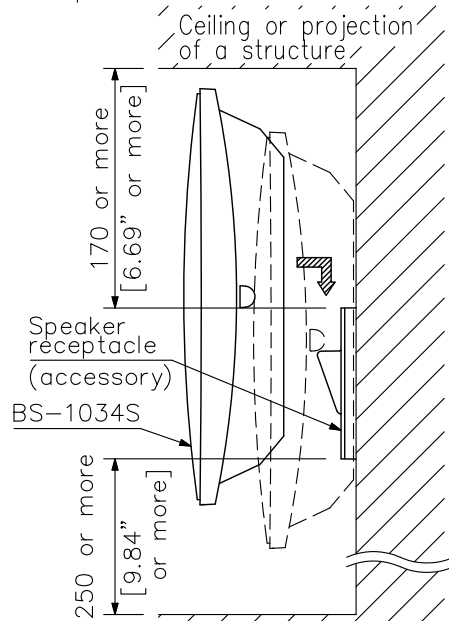
SPECIFICATIONS

| | |
|--------------------|--|
| Rated Input | 10 W |
| Rated Impedance | 100 V line: 1 kΩ (10 W), 2 kΩ (5 W), 3.3 kΩ (3 W), 10 kΩ (1 W) 70 V line: 500 Ω (10 W), 1 kΩ (5 W), 2 kΩ (2.5 W), 3.3 kΩ (1.5 W), 10 kΩ (0.5 W) |
| Sensitivity | 90 dB (1 W, 1 m) |
| Frequency Response | 120 Hz – 20 kHz |
| Speaker Component | Low frequency: 12 cm (5") cone-type, High frequency: Balanced dome-type |
| Input Connector | M4 screw terminal, distance between barriers: 11 mm (0.43") |
| Finish | Enclosure: HIPS resin (fire resistant grade UL94 V-0 or its equivalent), silver Net: Steel plate, silver, paint |
| Dimensions | 208 (W) × 327 (H) × 79 (D) mm (8.19" × 12.87" × 3.11") |
| Weight | 1.4 kg (3.09 lb) |
| Accessory | Speaker receptacle ...1, Wall mounting screw ...2 |

APPEARANCE



(Factory-preset wiring)
Note: Never connect to the 500 Ω in a 100 V line system.
Wiring Diagram



Note: As a force of approx. 18 kg (39.68 lb) is applied to the speaker receptacle at the time of speaker installation, attach it in a location durable enough to withstand the force.
Installation view (scale: 1/6)

UNIT:mm SCALE:1/4