

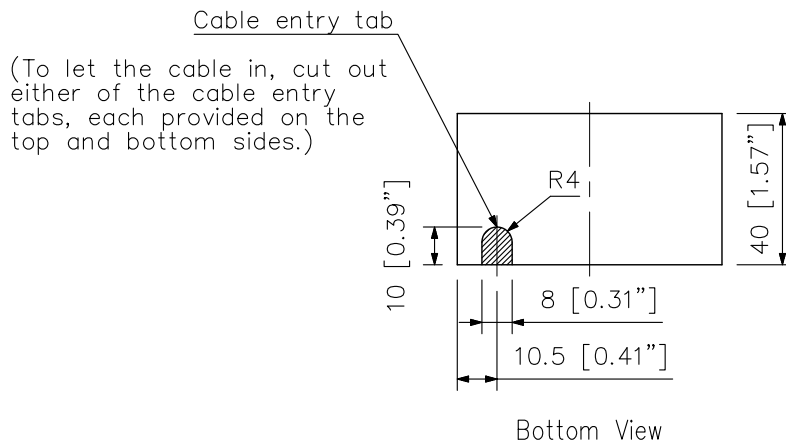
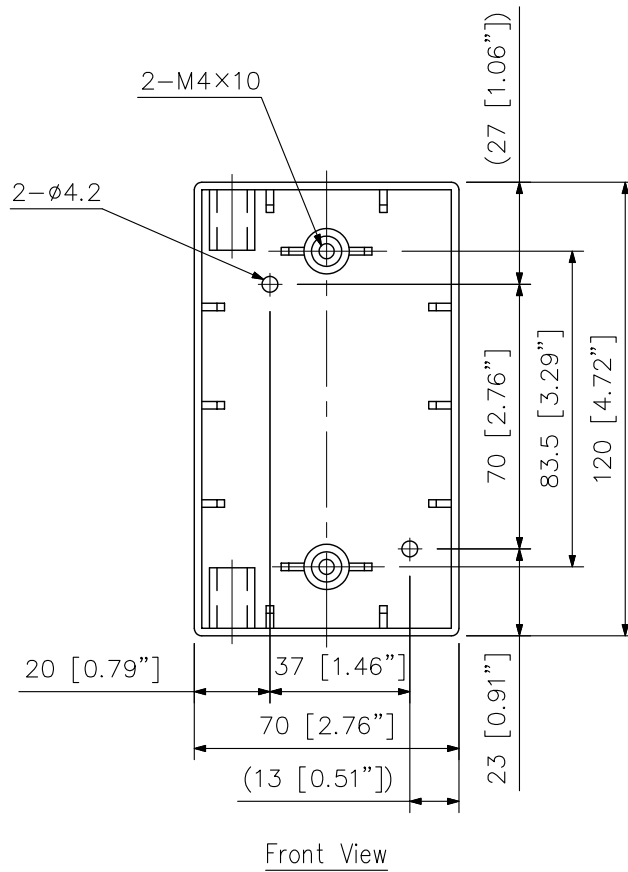
DESCRIPTION

The YS-11A is a surface-mount box designed for use with the attenuator or connector unit.

SPECIFICATIONS

Finish	High impact polystyrene resin, milky white
Dimensions	70 (W) × 120 (H) × 40 (D) mm (2.76" × 4.72" × 1.57")
Weight	60 g (0.13 lb)
Accessory	Countersunk head machine screw $\times 2$ , Round head wood screw $\times 2$
Applicable Unit	AT Series Attenuators (Applicable plates: YP-1AF) YM/YS Series Connector Units (Applicable plate: YP-1AF)

APPEARANCE



UNIT:mm SCALE:1/2