

## ■SPECIFICATIONS

Connector	XLM-3-32PCH-R
Current Capacity	3 A (AC)
Usable Cable	Microphone vinyl cable with sectional area of 0.75 ~ 2.0 mm <sup>2</sup>
Usable Plate	YP-1AF
Usable Plug	XLR-3-11C
Finish	Cover : ABS resin (off white) Frame : Steel plate (t=1.2)
Dimensions	45 (W) × 110 (H) × 52 (D) mm
Weight	95 g
Accessory	Screw M4 × 35.....2

※When routing a power or speaker line and a microphone line through the same electric box, provide a barrier between the two for insulation.

※For cables with sectional area of under 0.75 mm<sup>2</sup>, fold back their cores to increase the sectional area before making a connection.

## ■APPEARANCE

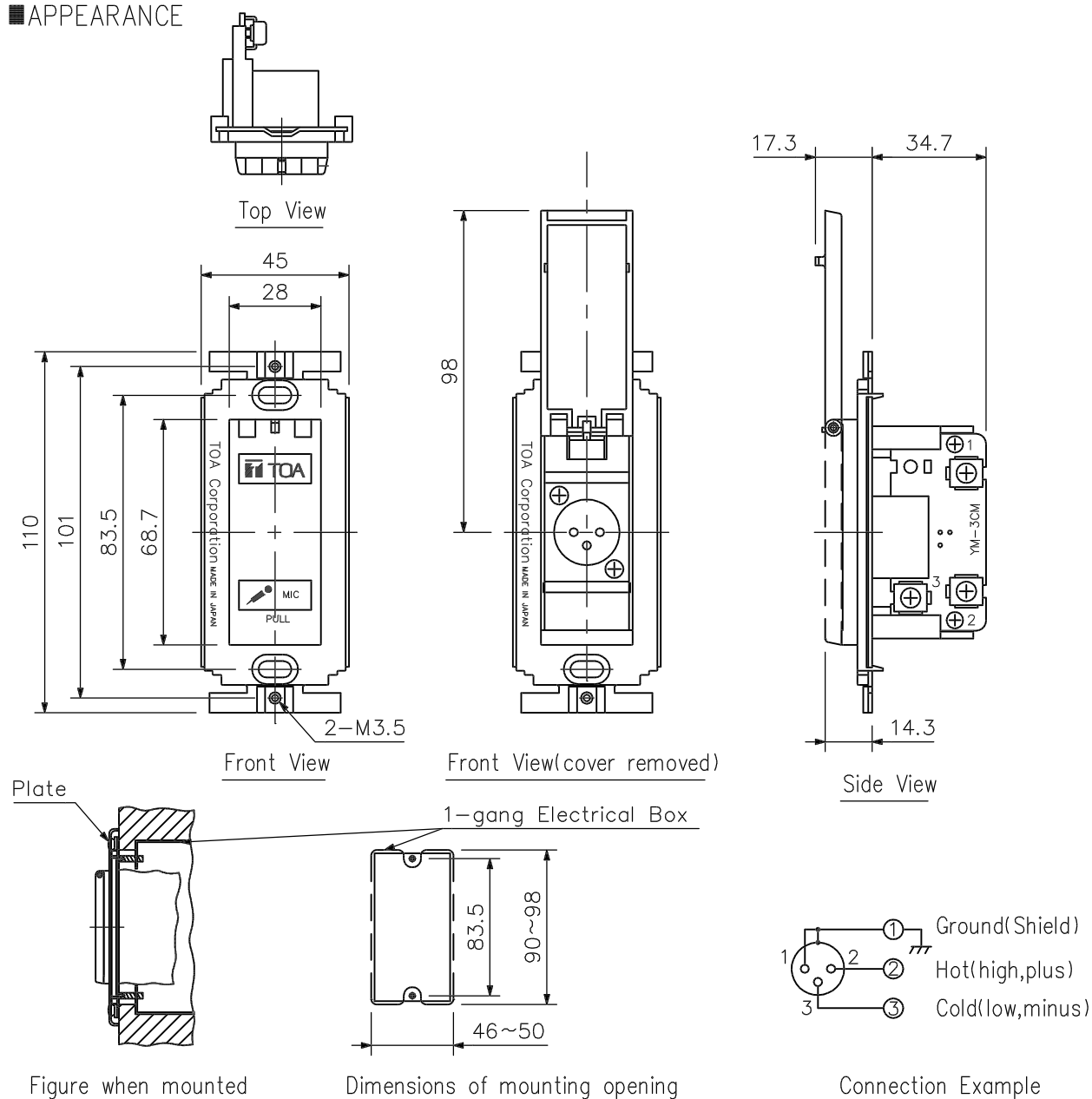


Figure when mounted

Dimensions of mounting opening

Connection Example

If the opening is too small or too large, the YM-3CM cannot be mounted in the wall. Be sure to make an opening with dimensions given above when mounting.

UNIT:mm SCALE:1/2