

DESCRIPTION

TOA's WM-2100 is a Portable Transmitter designed to use 470 MHz band radio signals. An optional microphone (not supplied with the unit) is required.

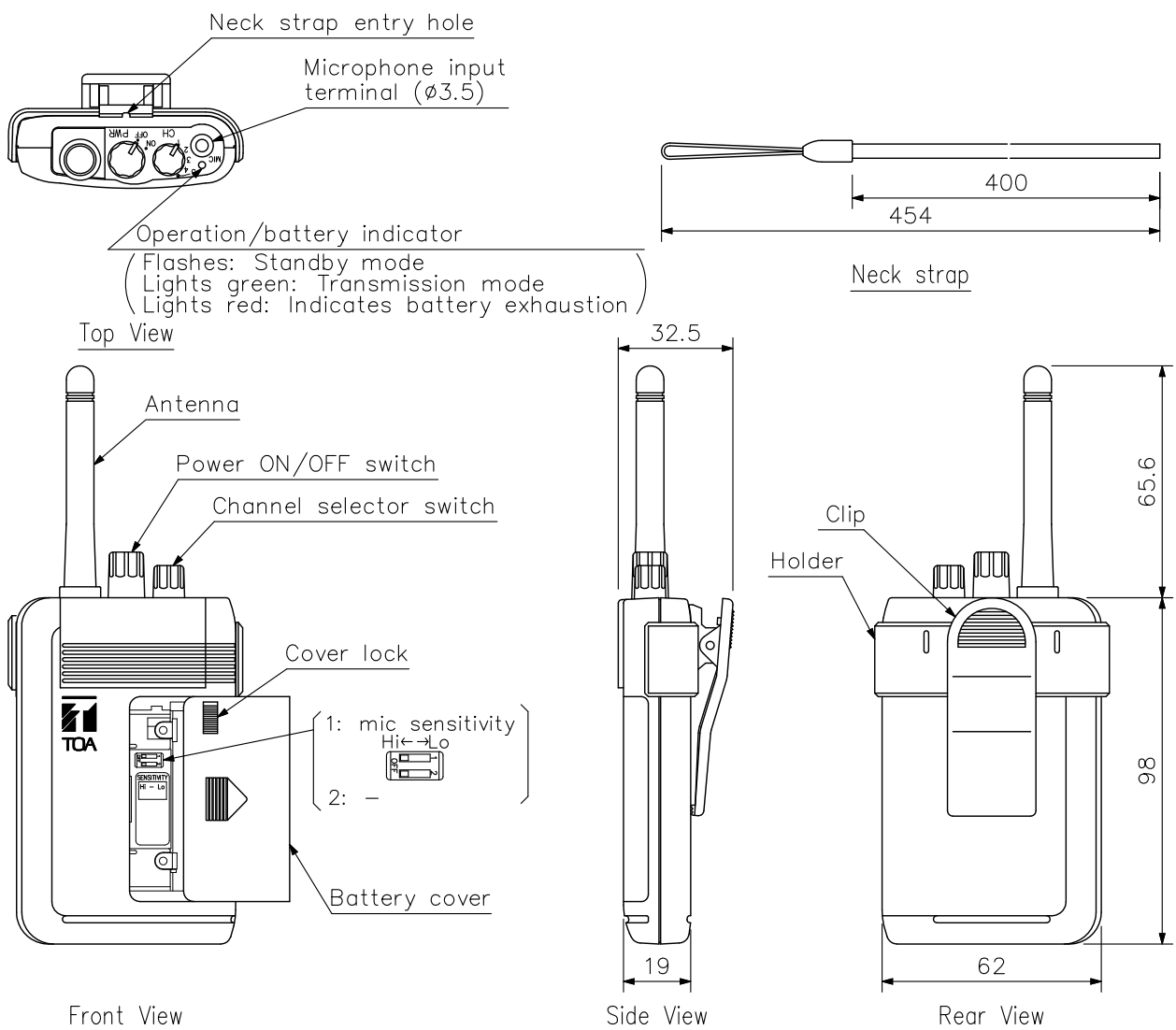
SPECIFICATIONS

* 0 dB = 0.775 V

Power Source	1.5 V DC (Battery)
Modulation	Frequency modulation
Transmitting Frequencies	470 MHz band (5 ch) (470.075, 470.150, 470.375, 470.625, 470.725 MHz)
RF Carrier Power	2 mW
Oscillator	PLL synthesizer
Frequency Response	200 Hz - 5 kHz (Portable transmitter → Potable receiver)
Pre-emphasis	50 μs
Input Level	-50 dB* (sensitivity Hi)/-44 dB* (sensitivity Lo)
Battery Life	18 hours (alkaline)
Battery	LR6 (1.5 V) × 1
Operation Temperature	-10 °C to +40 °C
Finish	Resin, dark gray
Dimensions	62 (W) × 163.6 (H) × 32.5 (D) mm
Weight	115 g (battery included)
Accessory	Neck strap.....1

* Three optional microphone are made available for selection
 YP-M101: tie-clip microphone
 YP-M201: close-talking microphone
 YP-M301: headset microphone

APPEARANCE



UNIT:mm SCALE:1/2