

DESCRIPTION

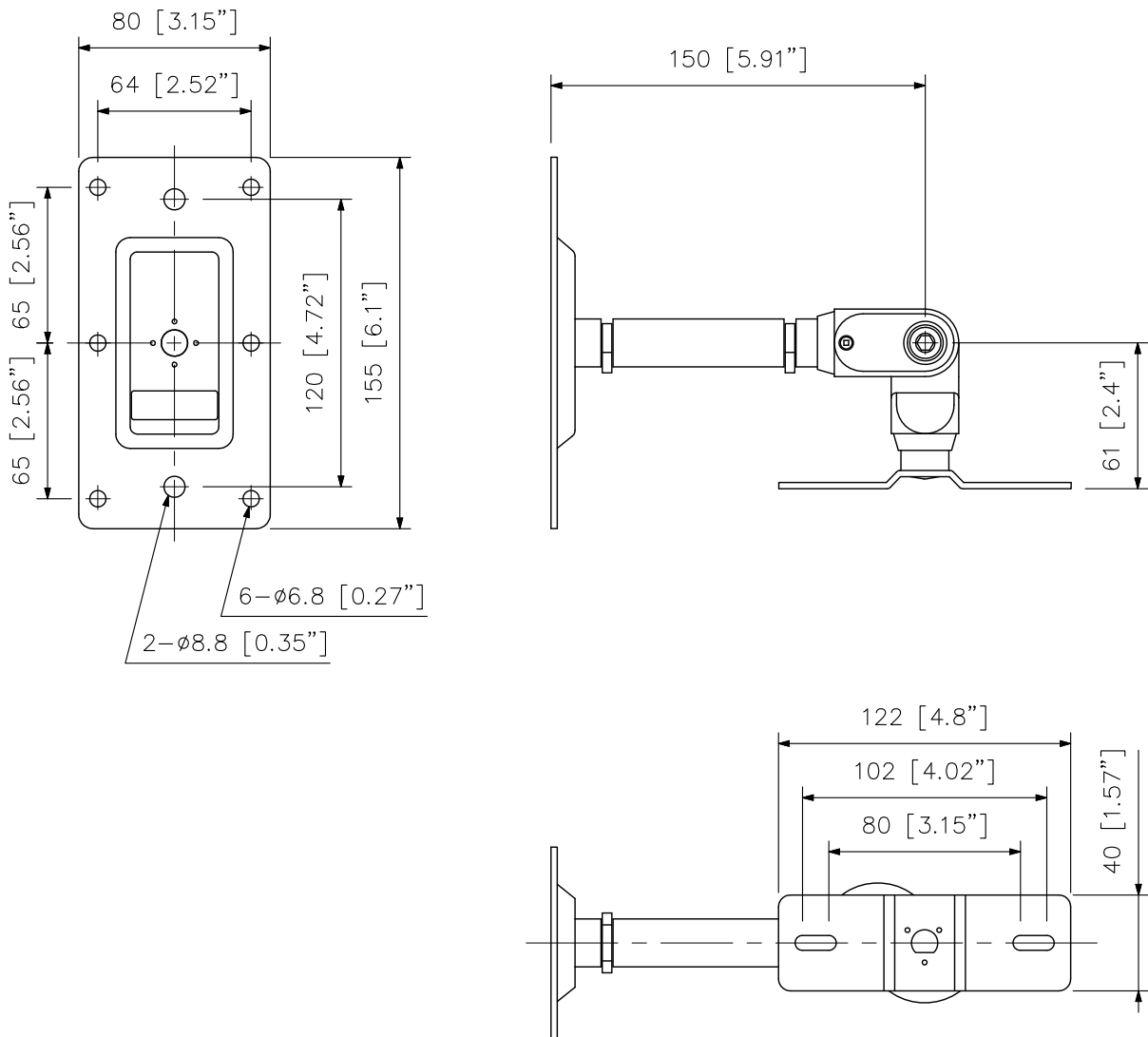
The WCB-31 is a holder to mount a ME-120 (\*1) or ME-160 (\*1) speakers to the ceiling or wall.  
 (\*1) Discontinued models

SPECIFICATIONS

Maximum Load	8 kg (17.64 lb) Under
Finish	Black, semi-matted painting
Accessory	Speaker mounting screw...2 Hexagonal renti (big)...1 Hexagonal renti (small)...1

\*Screws for attaching the holder to the ceiling or wall are not supplied.

APPEARANCE



UNIT:mm SCALE:1/3