

### DESCRIPTION

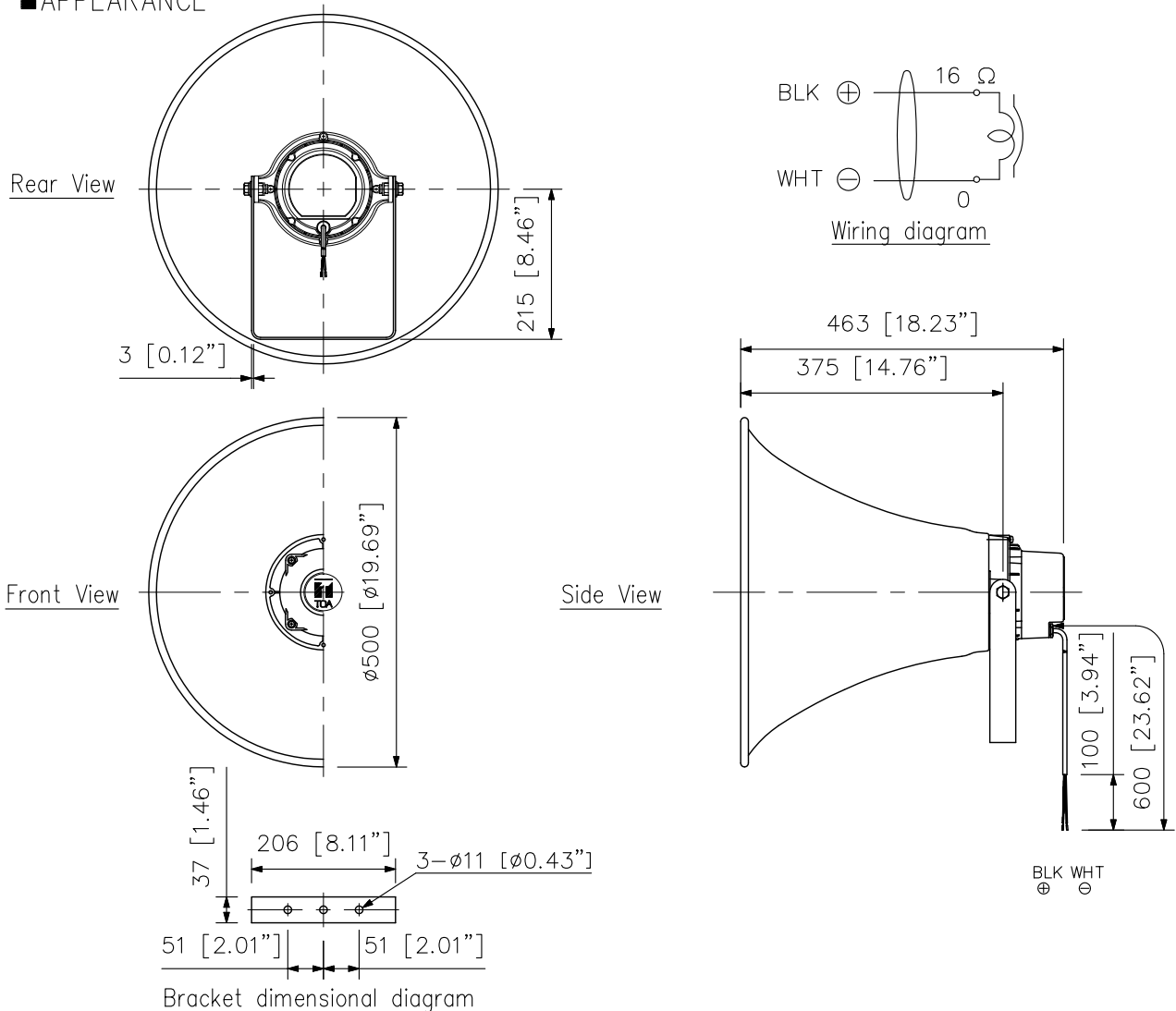
The TC-631 is a highly intelligible, general-purpose speaker suited to public address announcement applications. Its external speaker component finished with powder coating, and stainless steel screws ensure the unit's weatherproof capability.

### SPECIFICATIONS

Rated Input	30 W
Rated Impedance	16 Ω
Sensitivity	110 dB (1 W, 1 m)
Frequency Response	200 Hz - 6 kHz
Dust/Water Protection	IP65
Polarity	Hot: Black, Com: White
Operating Temperature	-20 °C to +60 °C (-4 °F to 140 °F) (must be free from dew condensation)
Finish	Horn flare: Aluminum, off-white, powder coating Reflector horn: ABS resin, off-white Bracket holder: Aluminum, gray, powder coating Bracket: Steel, gray, powder coating Rear cover: ABS resin, gray Screw and bolts: Stainless steel Speaker Cable: Polyvinyl chloride insulated cabtyre cable (6 mm (0.24") in diameter, 600 mm (23.62") in length)
Dimensions	ø500 × 463 (D) mm (ø19.69" × 18.23")
Weight	4.1 kg (9.04 lb)

Note: Avoid installing the speaker in locations which vibrate considerably, or under environments easy to be oil-contaminated.

### APPEARANCE



UNIT:mm SCALE:1/10