

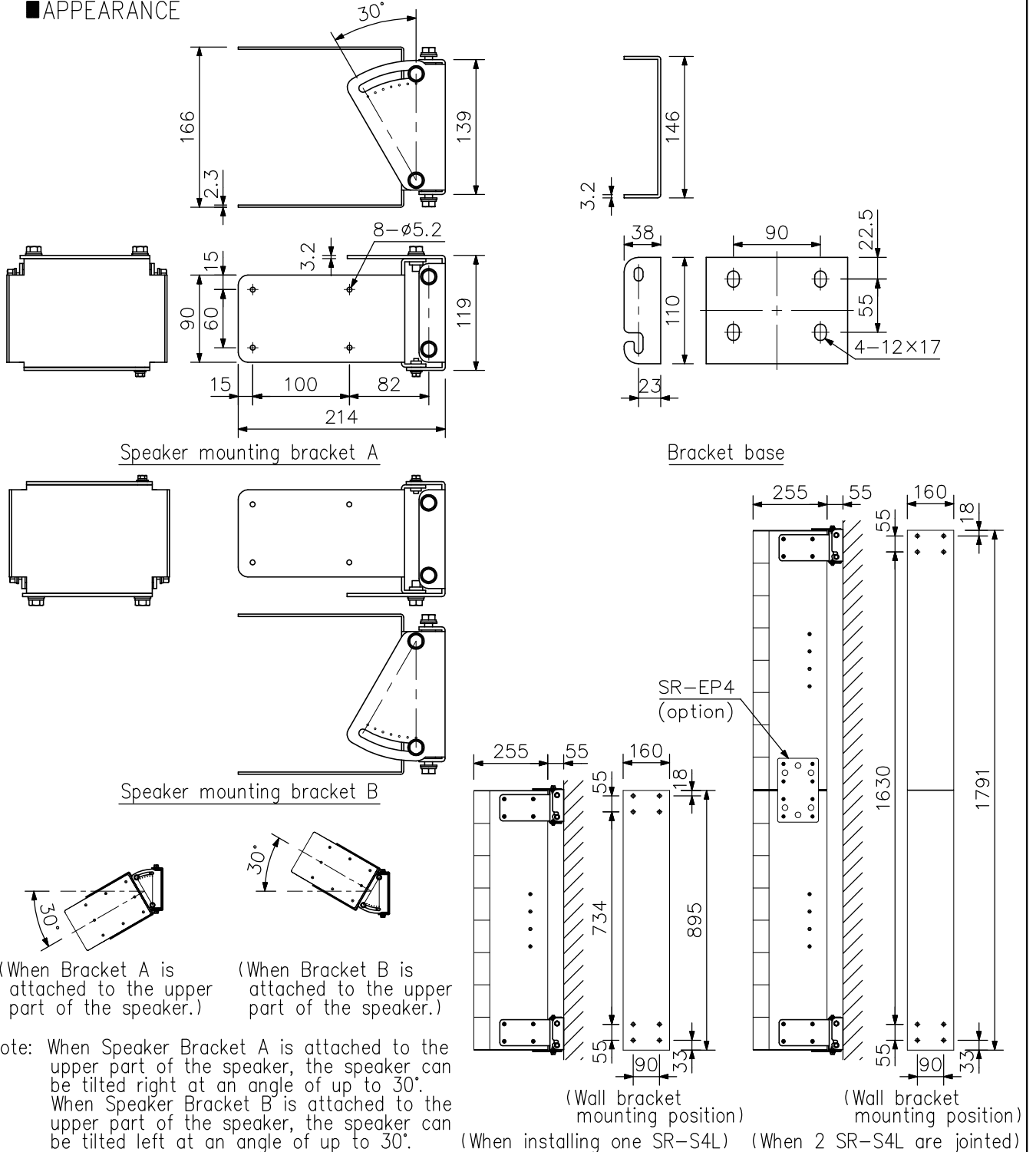
DESCRIPTION

The SR-WB4 bracket is used to mount the SR-S4L Line array speaker upright to the wall.

SPECIFICATIONS

Number of Speakers to be Mounted	Max. 2 (when jointed with an optional SR-EP4)
Finish	Steel plate, white, paint
Weight	4.6 kg (including accessories)
Product Composition	Speaker mounting bracket A ...1, Speaker mounting bracket B ...1, Bracket base ...2
Accessory	Speaker mounting screw (M5 upset head) ...16, Bracket assembling screw (M8 upset head) ...8
Option	Extension plate: SR-EP4

APPEARANCE



UNIT:mm SCALE:1/6

Mounting example (scale: 1/20)