

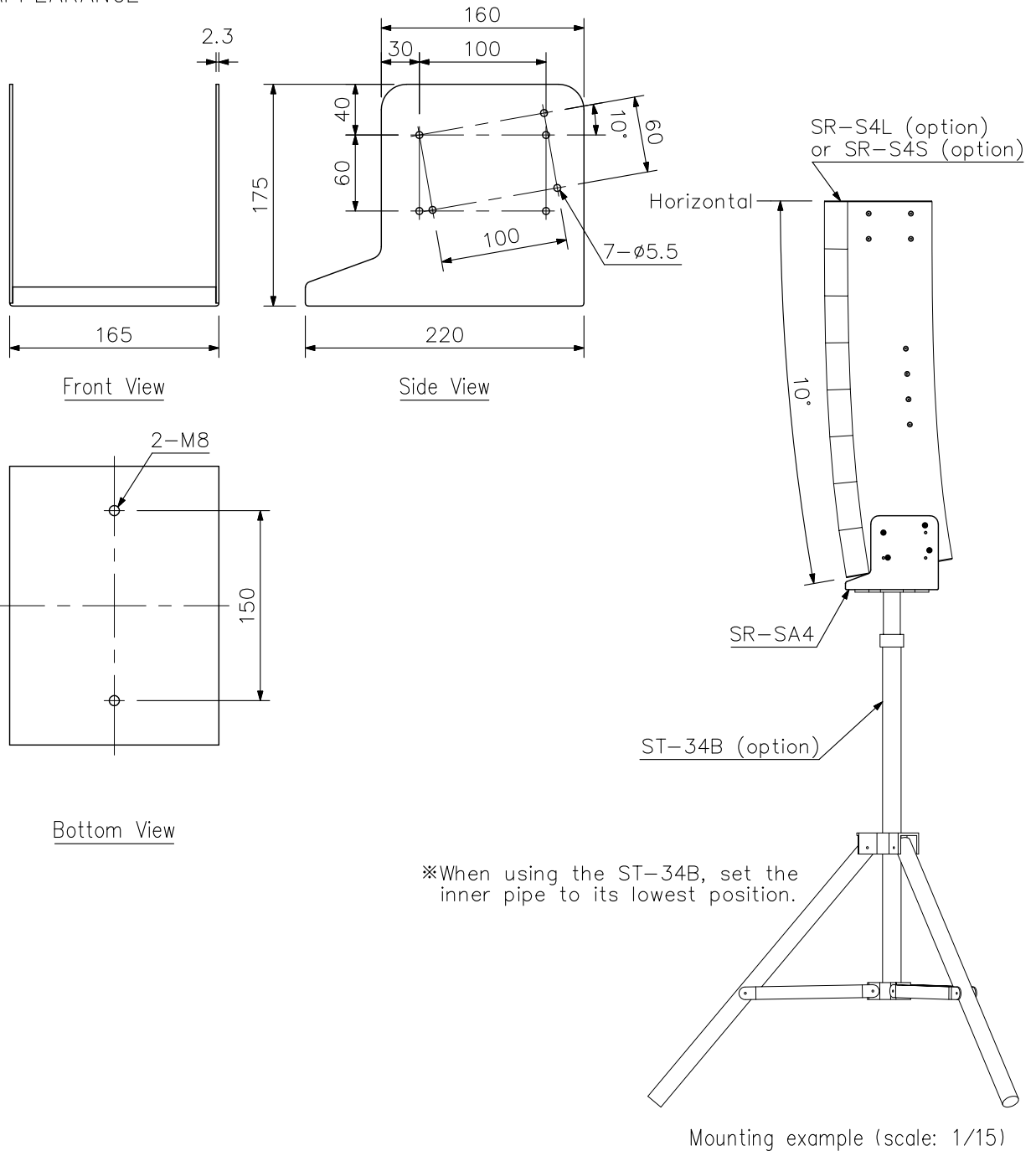
DESCRIPTION

The SR-SA4 is designed to be used to mount the Line Array Speaker system SR-S4L or SR-S4S on a speaker stand.

SPECIFICATIONS

Number of Speakers to be Mounted	1
Finish	Steel plate, white, paint
Dimensions	165 (W) × 175 (H) 220 (D) mm
Weight	1.7 kg (including accessories)
Accessory	Speaker mounting screw (M5 upset head) ×8
Applicable stand	ST-34B (option)

APPEARANCE



※When using the ST-34B, set the inner pipe to its lowest position.

Mounting example (scale: 1/15)

UNIT:mm SCALE:1/5