

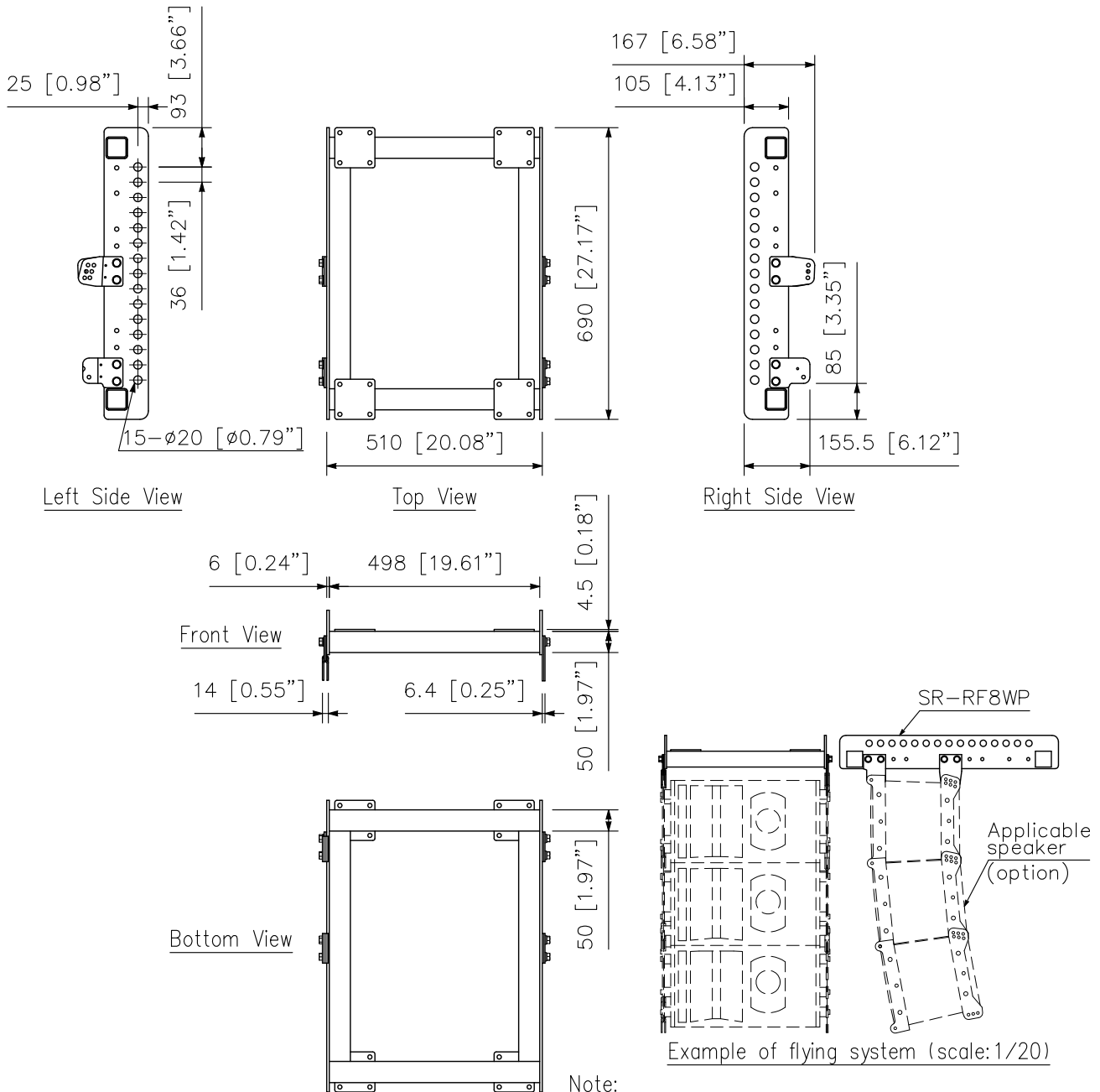
## DESCRIPTION

The SR-RF8WP Rigging Frame is used for flying the SR-C8LWP, SR-C8SWP, or SR-C15BWP Line array speakers.

## SPECIFICATIONS

Applicable Speaker	SR-C8LWP, SR-C8SWP, SR-C15BWP
Number of Speakers to be Mounted	Max. 12 (SR-C15BWP (option) is counted as 2 pieces.)
Finish	Stainless steel, black, paint
Dimensions	510 (W) × 167 (H) × 690 (D) mm (20.08" × 6.58" × 27.17") (excluding bolts)
Weight	17 kg (37.48 lb) (including accessories)
Accessory	Plate mounting bolt (M10) ×8

## APPEARANCE



### Note:

1. When installing the speaker permanently outdoors, fix the SR-RF8WP to a building using the bracket or other mounting hardware.
2. When permanently installing the speaker outdoors, inspect it periodically.

UNIT: mm SCALE: 1/15