

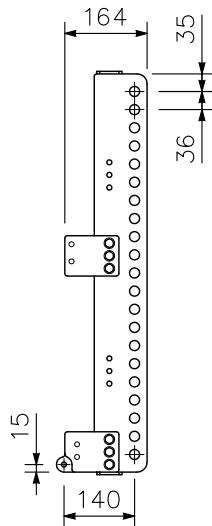
DESCRIPTION

The SR-RF12WP Rigging frame is used for flying the SR-A12LWP, SR-A12SWP Line array speakers.

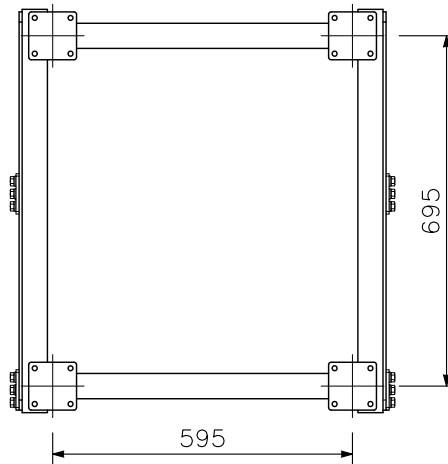
SPECIFICATIONS

Number of Speakers to be Mounted	Flying: Max. 8
Finish	Stainless steel
Dimensions	728 (W) × 164 (H) × 800 (D) mm (excluding bolt)
Weight	22 kg (including accessories)
Accessory	Plate mounting bolt (M10) ×12

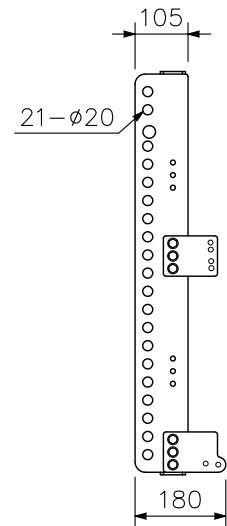
APPEARANCE



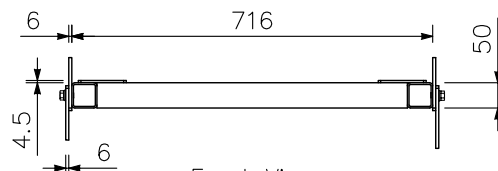
Left Side View



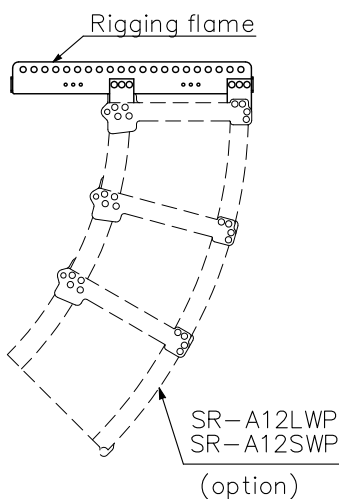
Top View



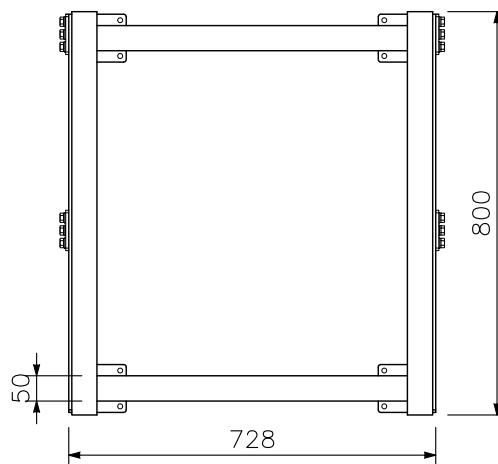
Right Side View



Front View



Example of flying system



Bottom View

Note:

1. When installing the speaker permanently outdoors, fix the SR-RF12WP to a building using the bracket or other mounting hardware.
2. When permanently installing the speaker outdoors, inspect it periodically.

UNIT:mm SCALE:1/15