

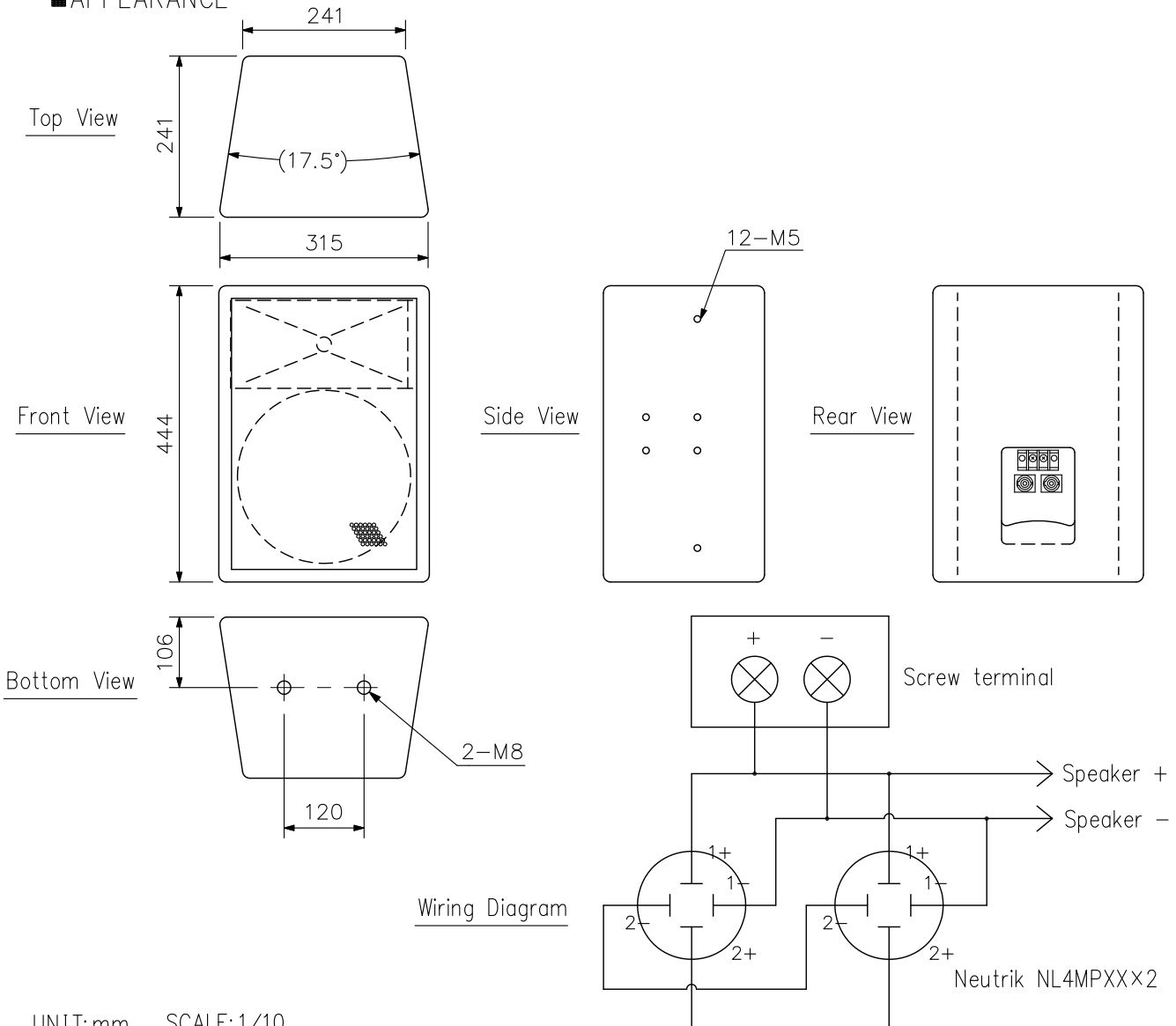
DESCRIPTION

The SR-F05 is a 2-way speaker system featuring high power handling capacity, high quality sound, and heavy-duty construction. It is driven by a single amplifier having a built-in passive network. Recommended digital speaker processor is the DP-SP3 (option).

SPECIFICATIONS

Enclosure	Bass-reflex type
Power Handling Capacity	450 W (continuous program) 150 W (continuous pink noise)
Rated Impedance	8 Ω
Sensitivity	99 dB (1 W, 1 m)
Frequency Response	60 Hz - 18 kHz (when recommended parameters are applied by the optional DP-SP3)
Crossover Frequency	2 kHz
Speaker Component	Low frequency: 25 cm dia. cone-type High frequency: CD horn (90° horizontal × 40° vertical) fitted with compression driver
Input Connector	M5 screw terminal, distance between barriers: 13 mm Neutrik NL4MPXX × 2
Finish	Enclosure: MDF, dark gray, urethane coating Front grille: Black, acrylic paint
Dimensions	315 (W) × 444 (H) × 241 (D) mm
Weight	18 kg

APPEARANCE



UNIT: mm SCALE: 1/10