

DESCRIPTION

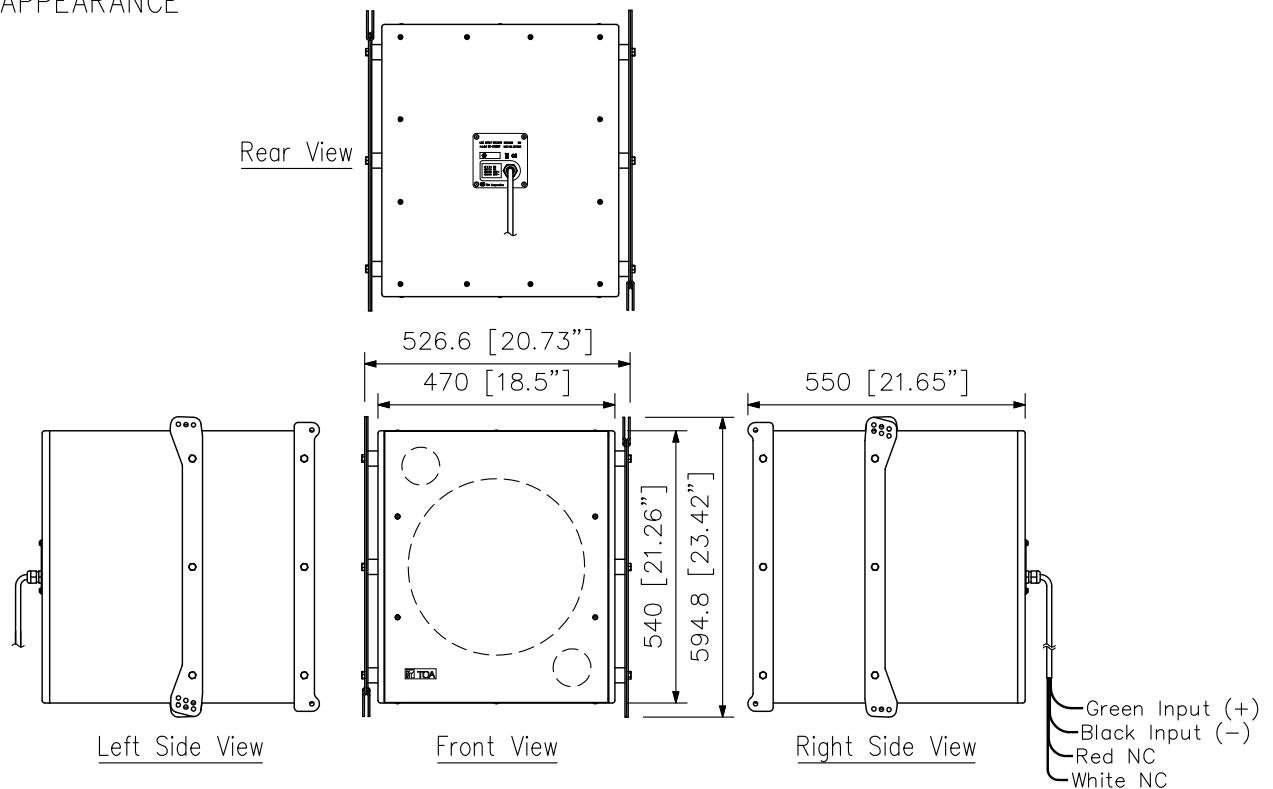
The SR-C15BWP Sub-woofer system is designed to be used in conjunction with the SR-C8LWP or SR-C8SWP Line array speaker.

Recommended digital speaker processor is the DP-SP3 (option).

SPECIFICATIONS

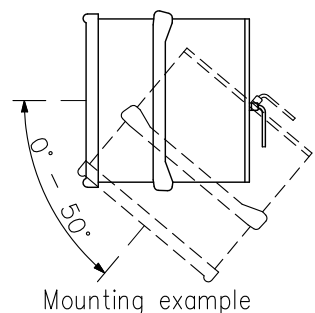
Enclosure	Bass-reflex type
Power Handling Capacity	Continuous program: 450 W
Rated Impedance	8 Ω
Sensitivity	93 dB (1 W, 1 m)
Frequency Response	40 - 400 Hz (when recommended parameters are applied by the optional DP-SP3)
Crossover Frequency	125 Hz (when recommended parameters are applied by the optional DP-SP3)
Speaker Component	38 cm (15") cone-type
Connected Cable	Direct cable withdrawal from internal speaker: $\varnothing 8.6$ mm ($\varnothing 0.34$ "), conductor cross section: 1.25 mm ² , 4-core cable, 3 m (9.84 ft)
Operating Temperature	-10°C to +50°C (14°F to 122°F)
Water Protection	IPX4
Finish	Enclosure: Plywood, black, urethane coating Front grille: Punched stainless steel, black, paint
Dimensions	526.6 (W) x 594.8 (H) x 550 (D) mm (20.73" x 23.42" x 21.65")
Weight	41 kg (90.39 lb)
Accessory	M8 connection bolt $\times 4$
Option	Rigging frame: SR-RF8WP Digital speaker processor: DP-SP3

APPEARANCE



NOTE:

1. It features the water-protection construction (IPX4), however it is recommended that it be installed under roofs, eaves, or other locations not directly exposed to rain or snow.
2. Do not install the SR-C15BWP at places where it is likely to be corroded such as bath room, indoor pools, or seaside.
3. Install the speaker with its air hole down. The air hole are provided at the bottom surface.
4. For outdoor permanent installation, the installation angle of the speaker as shown at the right must be between 0° horizontal and 50° downward.
5. When permanently installing the speaker outdoors, inspect it periodically.



Mounting example

UNIT:mm SCALE:1/15