

DESCRIPTION

Featuring the line arrayed wave front control technology that creates sound fields with uniform sound pressure and high sound clarity, the SR-A12LWP is a two-way line array speaker ideal for long distance sound transmission. It satisfies the water-protection requirements set down in the IPX4 Standard.

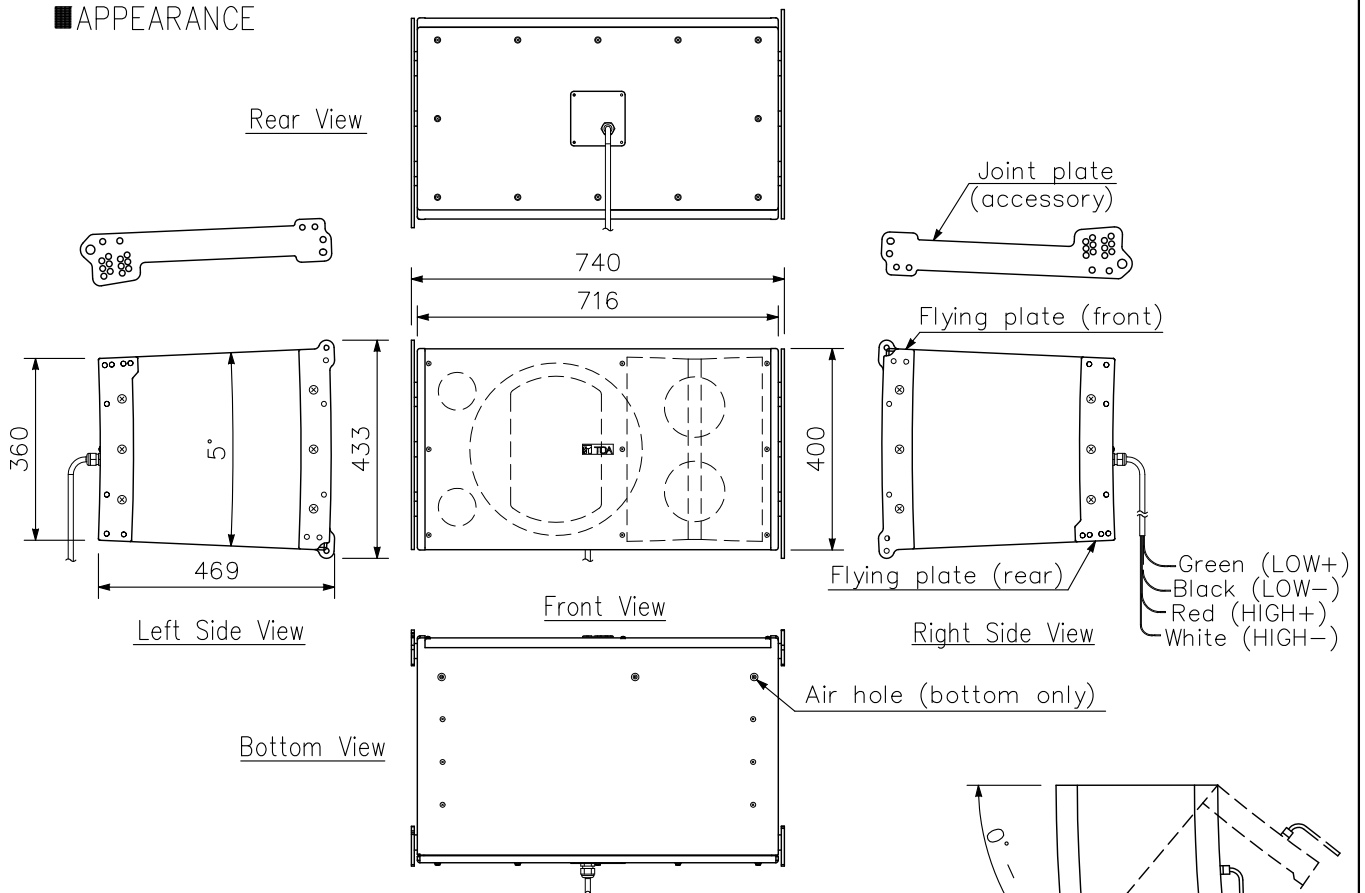
The SR-A12LWP employs the multi-amplifier drive system.

Recommended digital speaker processor is the DP-SP3 (option).

SPECIFICATIONS

Enclosure	Bass-reflex type
Power Handling Capacity	Continuous program Low frequency: 450 W, High frequency: 180 W
Rated Impedance	Low frequency: 8 Ω, High frequency: 16 Ω
Sensitivity	Low frequency: 98 dB (1 W, 1 m), High frequency: 110 dB (1 W, 1 m)
Frequency Response	50 Hz - 20 kHz (when recommended parameters are applied by the optional DP-SP3)
Crossover Frequency	1 kHz (when recommended parameters are applied by the optional DP-SP3)
Directivity Angle	Horizontal: 90°, Vertical: 5°
Speaker Component	Low frequency: 30 cm cone-type High frequency: Wave front control horn 90° (horizontal) × 5° (vertical) + compression driver × 2
Connected Cable	Direct cable withdrawal from internal speaker: ø8.6 mm, conductor cross section: 1.25 mm ² , 4-core cable, 3 m
Operating Temperature	-10 °C to +50 °C
Water Protection	IPX4
Finish	Enclosure: Plywood, black, urethane coating Front grille: Punched stainless steel, black, paint
Dimensions	740 (W) × 433 (H) × 469 (D) mm (excluding connected cable)
Weight	51 kg (including accessories)
Accessory	Joint plate ×2, Joint plate mounting bolt (M10) ×16
Option	Rigging frame: SR-RF12WP Digital speaker processor: DP-SP3

APPEARANCE



NOTE:

1. It features the water-protection construction (IPX4), however it is recommended that it be installed under roofs, eaves, or other locations not directly exposed to rain or snow.
2. Install the speaker with its air hole down.
3. For outdoor permanent installation, the installation angle of the speaker as shown at the right must be between 0° horizontal and 50° downward.
4. When permanently installing the speaker outdoors, inspect it periodically.

UNIT:mm SCALE:1/15