

### DESCRIPTION

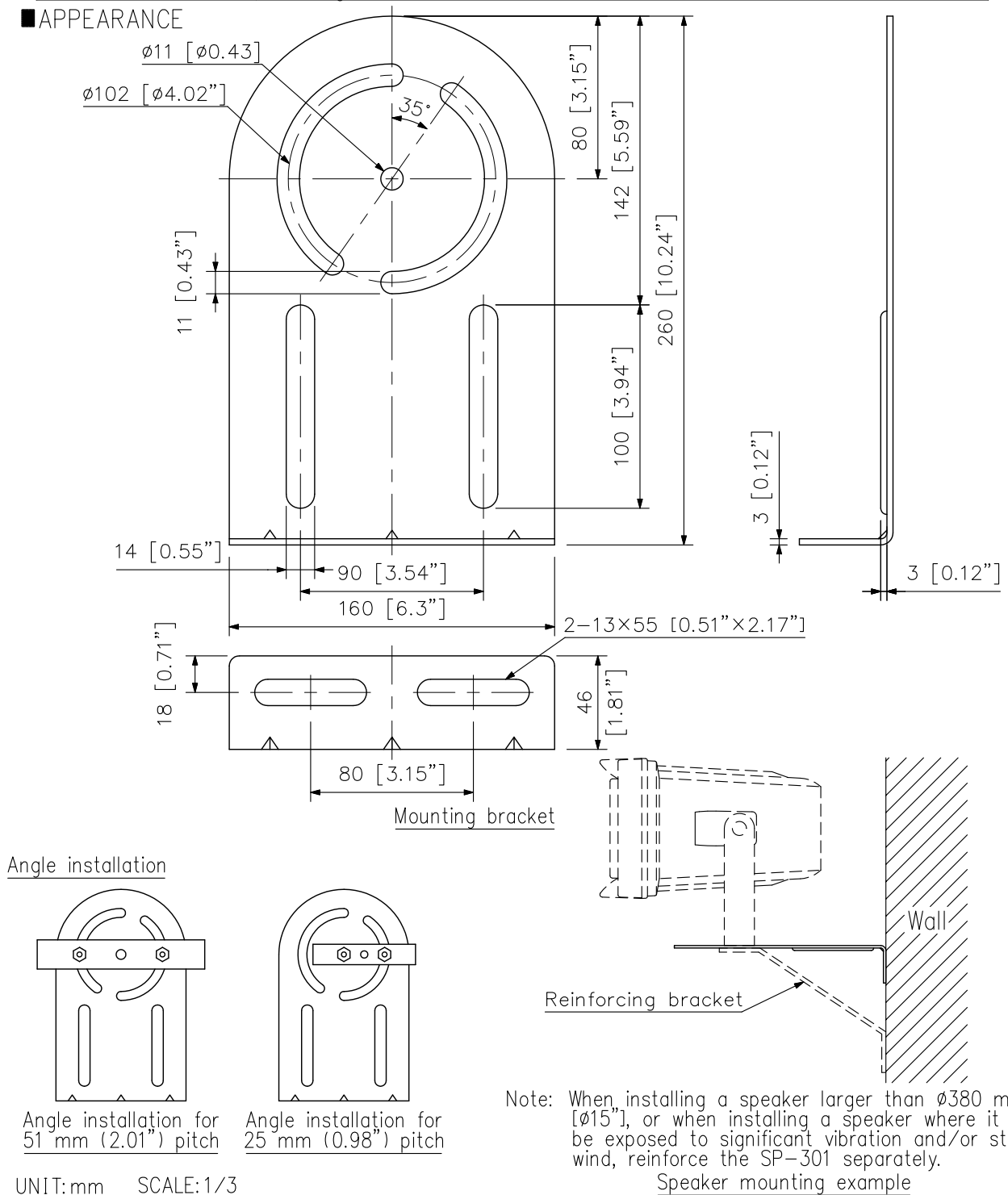
The SP-301 Speaker mounting bracket is used to mount a horn speaker to a wall.

Note: For added safety, reinforce mounting brackets and mounting bands when installing a speaker in a location that will be exposed to significant vibration and/or strong wind. It is also recommended that the installed speaker, mounting brackets, and mounting bands be checked periodically to assess potentially dangerous excessive wear and/or loose connections.

### SPECIFICATIONS

Load Capacity	5 kg (11 lb)
Finish	Bracket: Stainless Steel Screw: Stainless Steel
Weight	910 g (2.01 lb) (bracket only)
Product Composition	Mounting bracket ...1, Mounting screw (M10 x 25 bolt set, M8 x 20 bolt set) ...each 1 set

### APPEARANCE



UNIT:mm SCALE:1/3