

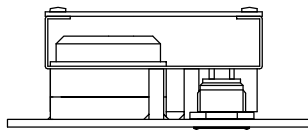
■ DESCRIPTION

The RS-470 is a substation to be connected to the N-8400RS 4-Wire Substation Interface Unit. Pressing a call button will initiate a call to a preprogrammed master station, enabling a conversation.

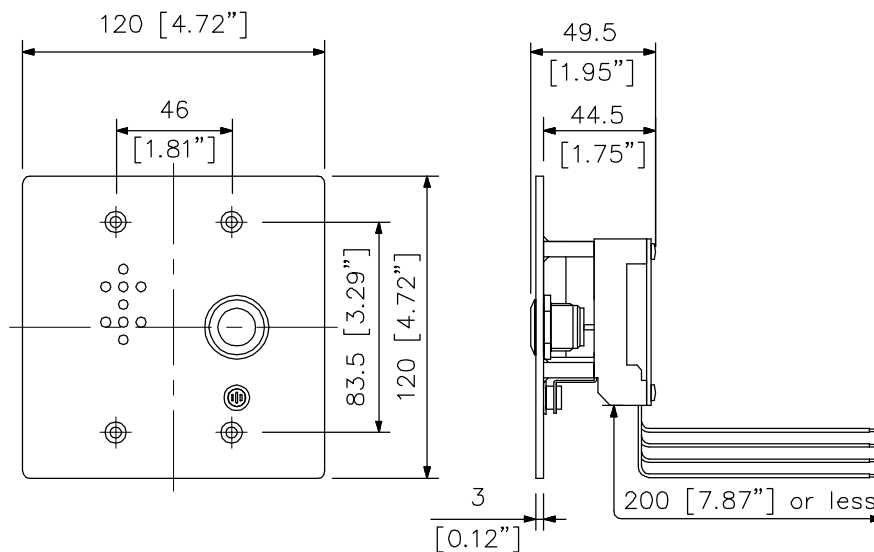
■ SPECIFICATIONS

Call Button	Momentary (Emergency call: Press twice within 400 ms.)
Rated Input	1 W
Internal Speaker	cone-type
Internal Mic	Electret condenser type
Wiring	Twisted pair cables (2-pair)
Transmission Range	1 km (1093 yd)/ø0.5 mm (AWG24) 1.5 km (1640 yd)/ø0.65 mm (AWG22) 2 km (2187 yd)/ø0.9 mm (AWG19)
Operating Temperature	-10 °C to +50 °C (14 °F to 122 °F) (Temperature range not to freeze the speaker and switch)
Housing Protection	BS EN62262: 2002: IK02 equivalent
Dust/Water Protection	IP54
Finish	Panel: Stainless steel, hairline Call Button: Metal, silver Circuit board: Weather-resistant coating
Dimensions	120 (W) × 120 (H) × 49.5 (D) mm (4.72" × 4.72" × 1.95")
Weight	550 g (1.21 lb)
Accessory	Box mounting screw (No.6-32UNC × 18) .....4, Box mounting screw (M4 × 25) .....4
Applicable Box	For flush-mount: 2-gang electrical box YC-302 (option) For surface-mount: Indoor wall-mount box YC-822 (option), Outdoor wall-mount box YC-823 (option)

■ APPEARANCE

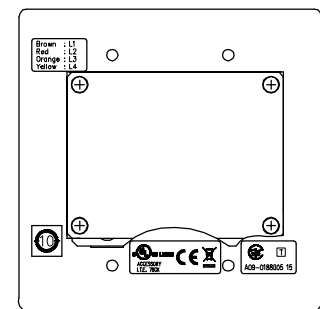


Top View



Front View

Side View



Rear View

UNIT: mm    SCALE: 1/3