

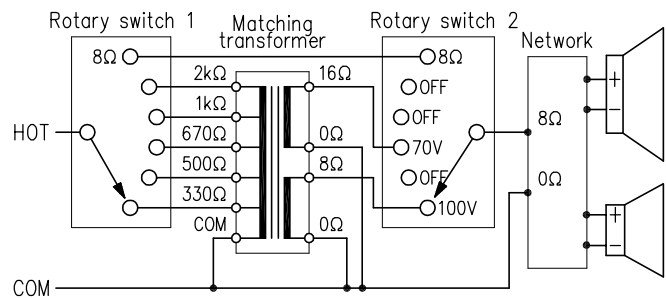
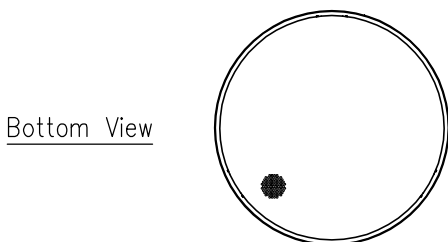
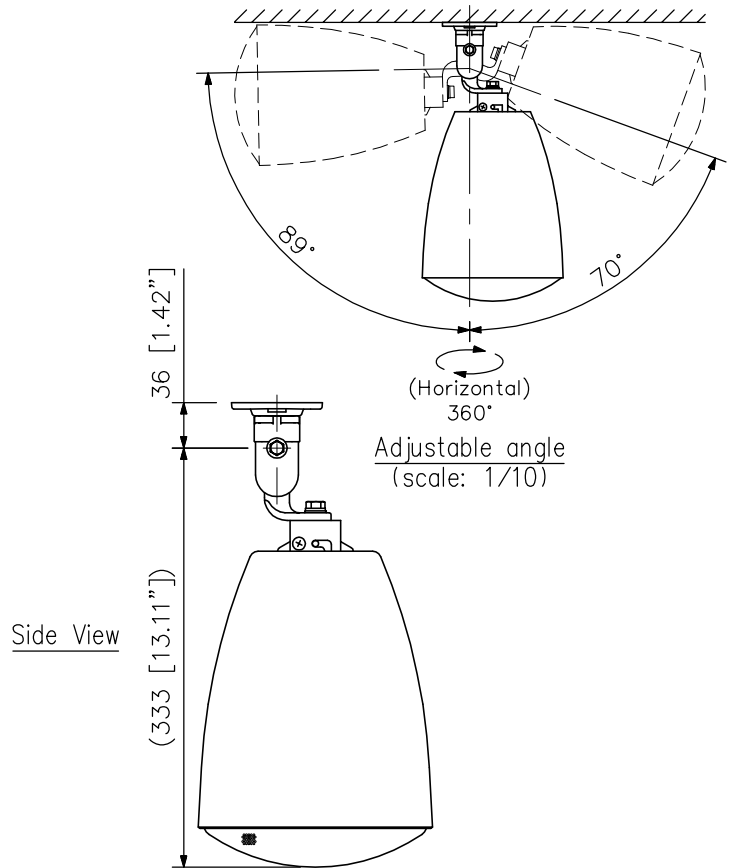
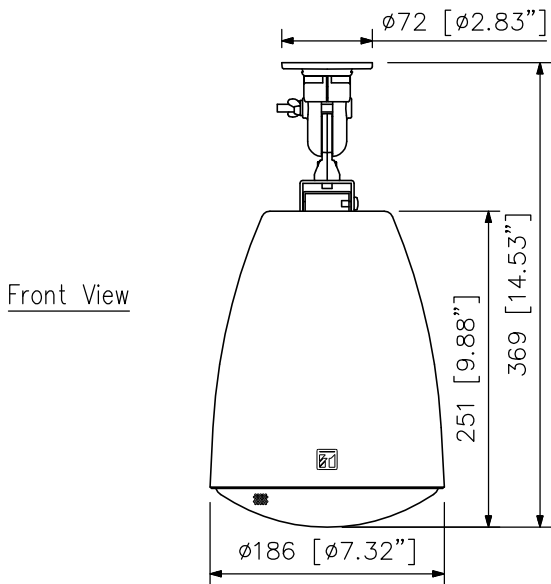
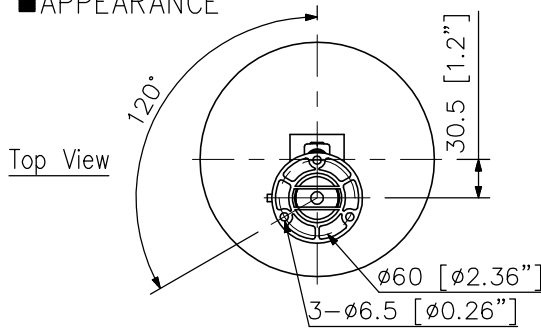
DESCRIPTION

The PJ-304 is a projection speaker designed for ceiling and wall installations. Considered in architectural design, it can blend in with lighting equipment. The supplied swivel bracket allows for flexible speaker angle adjustment. The PJ-304 is driven on both high-impedance (100 V and 70 V) and low-impedance (8 Ω) lines. The input power (impedance) can be easily changed at the upper side of the speaker. The speaker is easy to repaint so as to meet a wide range of design needs.

SPECIFICATIONS

Enclosure	Bass-reflex type
Rated Input	30 W (100 V, 70 V line, 8 Ω)
Rated Impedance	100 V line: 330 Ω (30 W), 500 Ω (20 W), 670 Ω (15 W), 1 kΩ (10 W), 2 kΩ (5 W) 70 V line: 170 Ω (30 W), 250 Ω (20 W), 330 Ω (15 W), 500 Ω (10 W), 1 kΩ (5 W) 8 Ω
Sensitivity	91 dB (1 W, 1 m) (500 - 5,000 Hz, pink noise)
Frequency Response	70 - 20,000 Hz (peak -20 dB)
Speaker Component	12 cm (5") cone-type + balanced dome-tweeter
Speaker Cord	2-core cable cord 60 cm (1.97 ft) with diameter of 6 mm (0.24")
Finish	Enclosure: HIPS resin, off-white (RAL 9010 or equivalent color) Grille: Surface-treated steel plate net, off-white (RAL 9010 or equivalent color), paint
Dimensions	ø186 X 369 (H) mm (ø7.32" X 14.53")
Weight	2.1 kg (4.63 lb) (unit only)
Accessory	Swivel bracket *1, Speaker mounting screw (4 X 16) *3

APPEARANCE



(Factory-preset wiring)
Note: Never connect the 8 Ω terminal to the 100 V or 70 V line.

Wiring Diagram

UNIT:mm SCALE:1/6