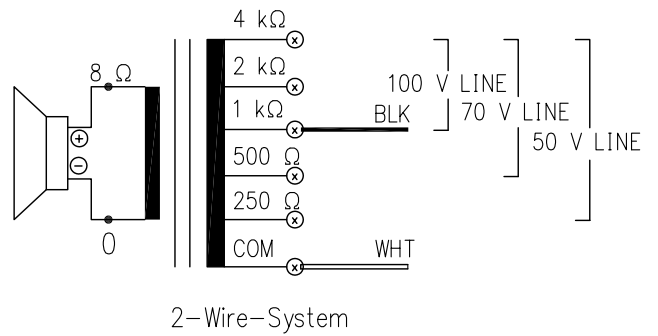
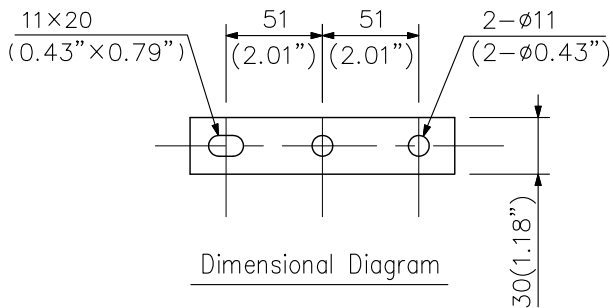
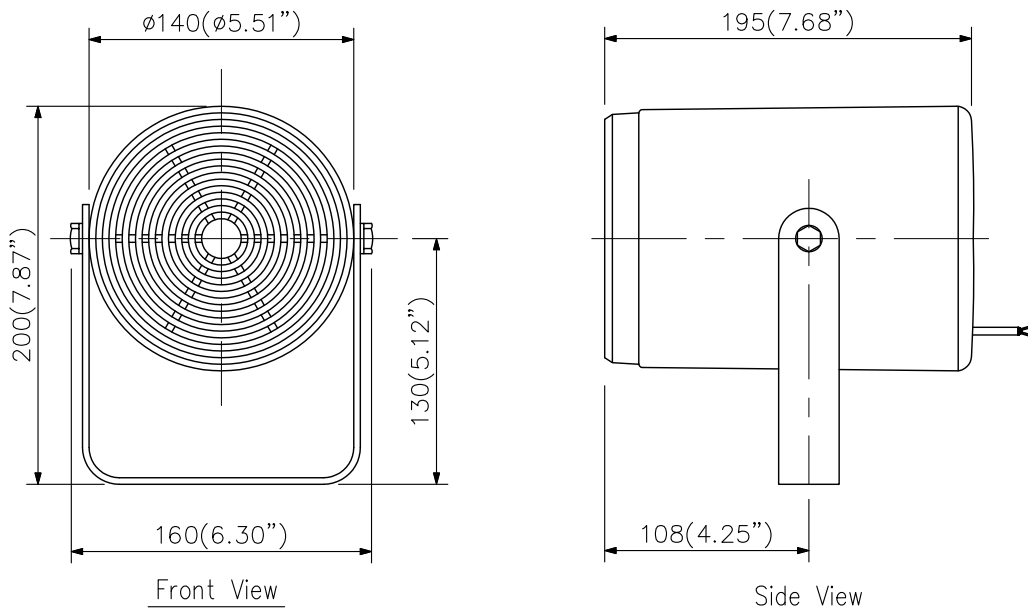


■ SPECIFICATIONS

Rated Input	10 W (50 V, 70 V, 100 V Line)
Input Impedance	100 V Line : 1 kΩ (10 W), 2 kΩ (5 W), 4 kΩ (2.5 W) 70 V Line : 500 Ω (10 W), 1 kΩ (5 W), 2 kΩ (2.5W), 4 kΩ (1.25 W) 50 V Line : 250 Ω (10 W), 500 Ω (5 W), 1 kΩ (2.5 W), 2 kΩ (1.25 W), 4 kΩ (0.63 W)
Preset Impedance	1 kΩ
Sound Pressure Level	92 dB (1 m, 1 W) at 1 kHz
Speaker Component	12 cm
Frequency Response	65 Hz – 15 kHz
Finish	Cabinet, Cover: ABS Resin, off-white Bracket: SPCC, off-white
Dimensions	160 (W) × 200 (H) × 195 (D) mm (6.3" × 7.87" × 7.68")
Weight	1.8 kg (3.97 lb)

Note: Avoid installing the speaker in locations which vibrate considerably, or under environments easy to be oil-contaminated.

■ APPEARANCE



UNIT: mm SCALE: 1/4