

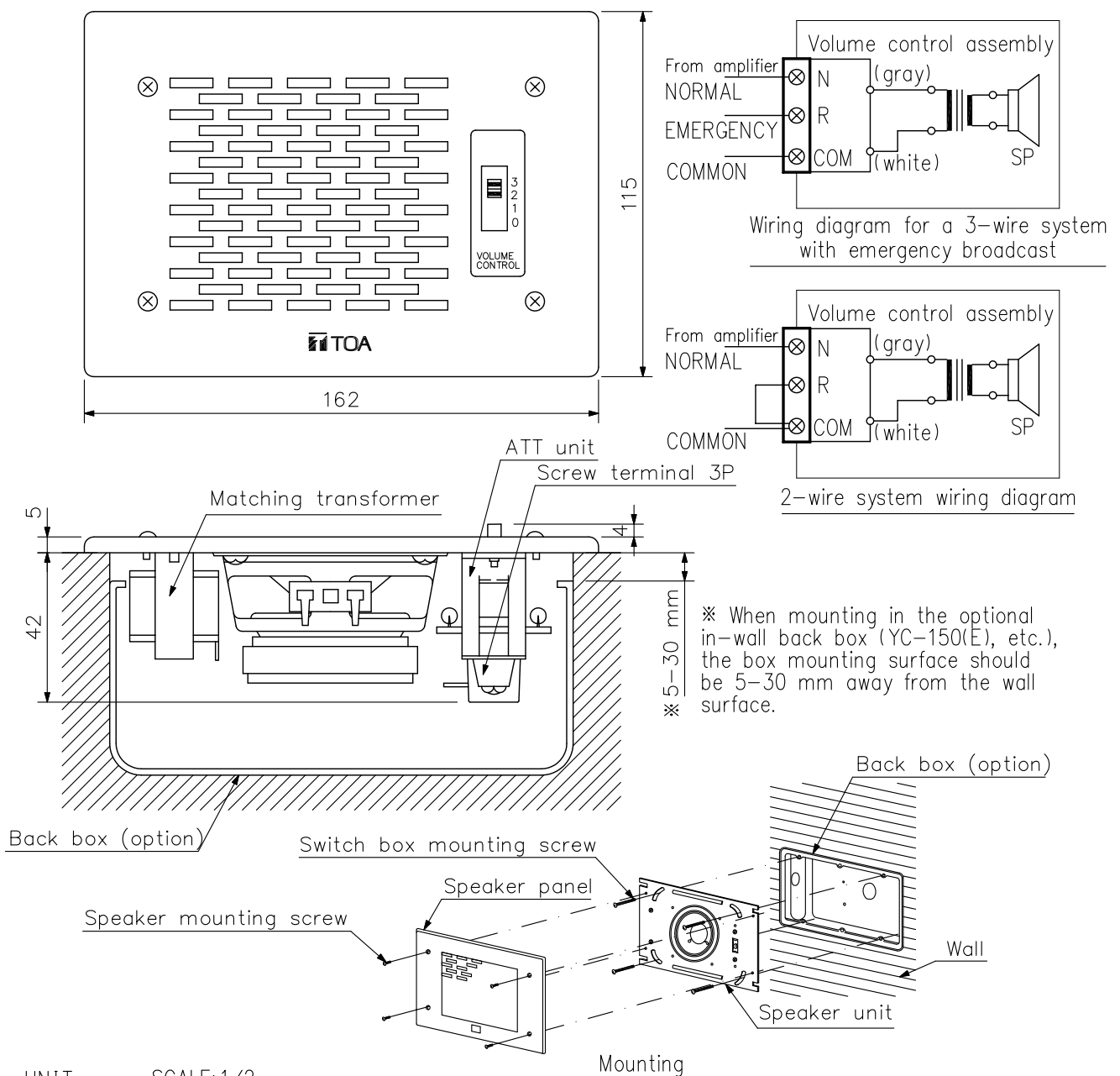
## DESCRIPTION

The PC-391T is a small flush-mount wall speaker. Its ideal applications include hotel and hospital rooms, and reception counters in the banks and clinics.

## SPECIFICATIONS

|                      |  |
|----------------------|--|
| Rated Input          | 3 W  |
| Rated Impedance      | 3.3 kΩ   |
| Sound Pressure Level | 90.7 dB (3 W, 1 m)   |
| Frequency Response   | 150 Hz - 18 kHz  |
| Speaker Component    | 7.7 cm cone-type speaker   |
| Attenuation          | 0 (OFF), 1 (-12 dB), 2 (-6 dB), 3 (0 dB)   |
| Finish               | Baffle: Stainless steel<br>Grille: Aluminum, silver                                  |
| Dimensions           | 162 (W) × 115 (H) × 47 (D) mm (excluding the projection parts such as a switch knob) |
| Weight               | 600 g  |
| Accessory            | Switch box mounting screw .....4, Speaker mounting screw .....4, Wood screw .....4   |

## APPEARANCE



UNIT:mm SCALE:1/2

Mounting