

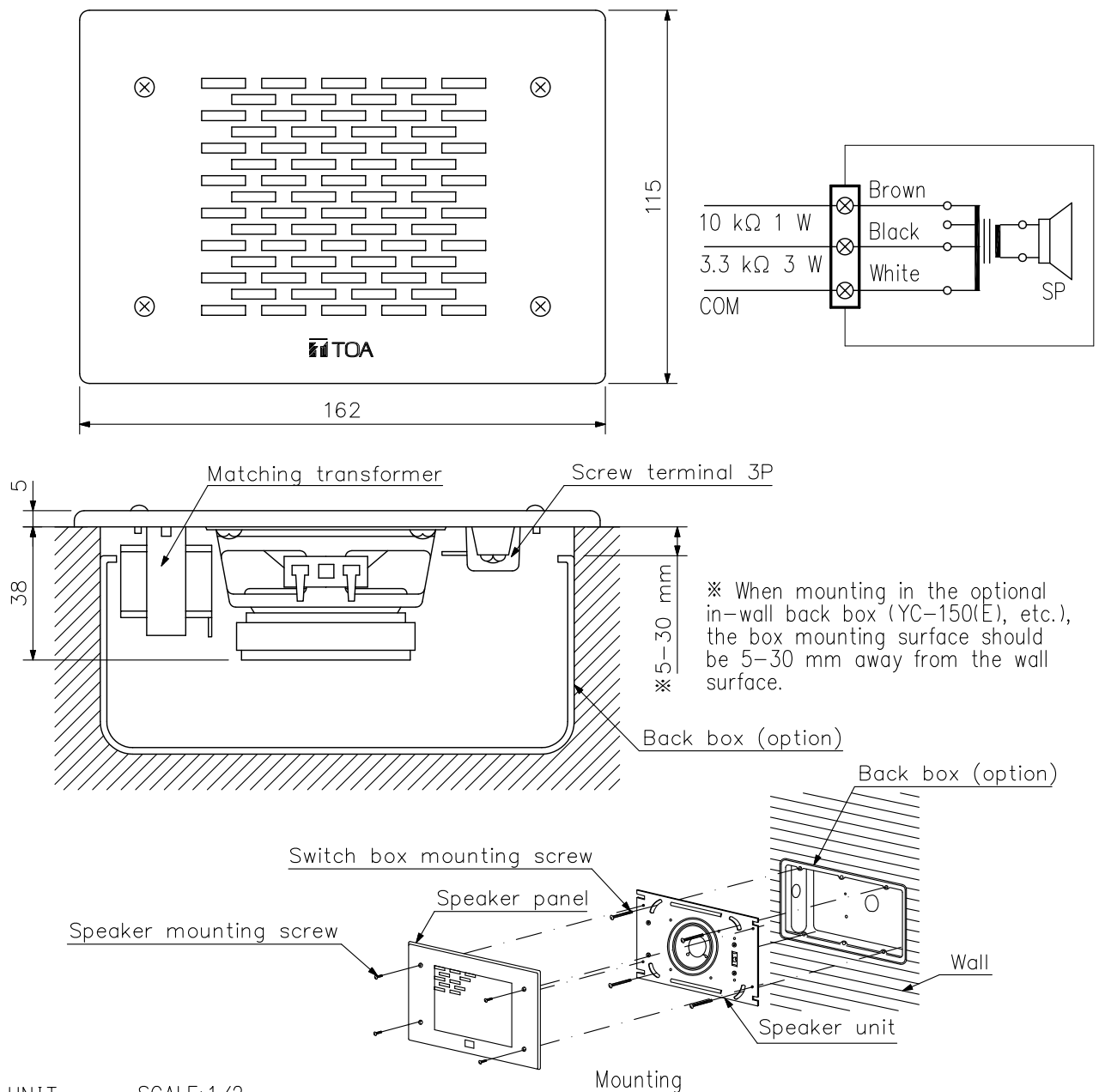
### DESCRIPTION

The PC-391 is a small flush-mount wall speaker. Its ideal applications include hotel and hospital rooms, and reception counters in the banks and clinics.

### SPECIFICATIONS

Rated Input	3 W
Rated Impedance	3.3 k $\Omega$ , 10 k $\Omega$
Sound Pressure Level	90.7 dB (3 W, 1 m)
Frequency Response	150 Hz - 18 kHz
Speaker Component	7.7 cm cone-type speaker
Finish	Baffle: Stainless steel Grille: Aluminum, silver
Dimensions	162 (W) x 115 (H) x 43 (D) mm (excluding the projected screw heads)
Weight	560 g
Accessory	Switch box mounting screw $\phi$ 4, Speaker mounting screw $\phi$ 4, Wood screw $\phi$ 4

### APPEARANCE



UNIT:mm SCALE:1/2